

SUPERMOTO ***400***

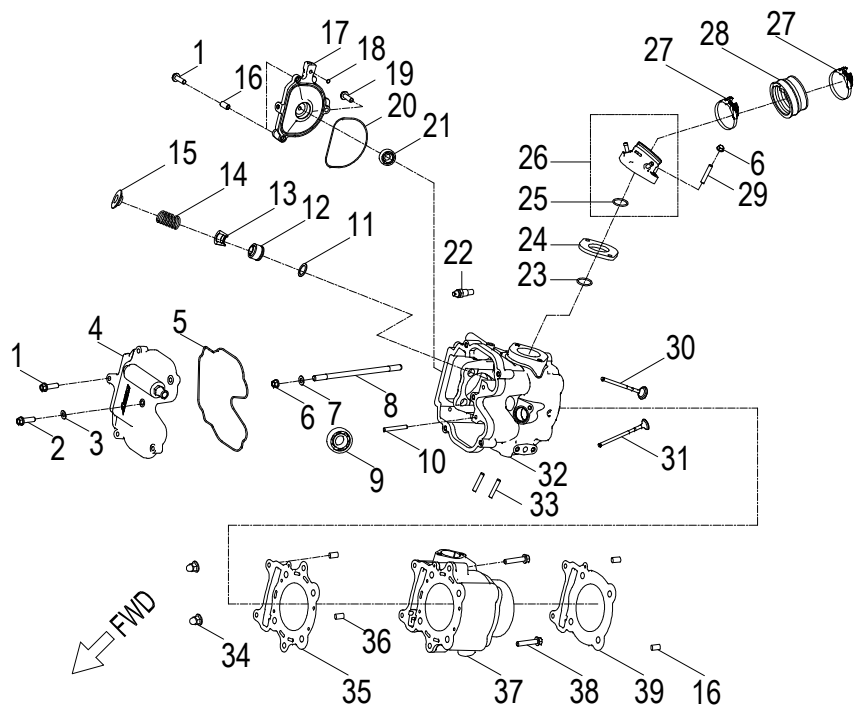


VIN Nंबर:

RF3RA5653ET001309



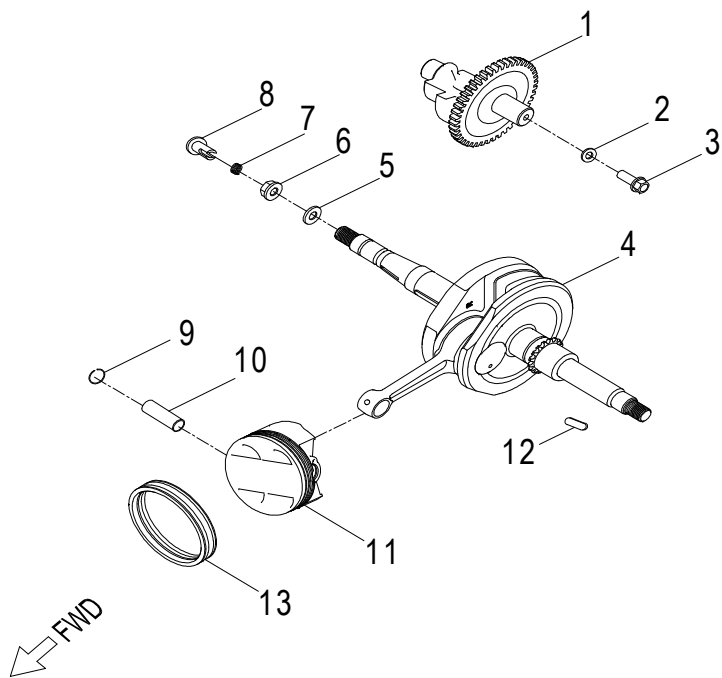
D-1:CYLINDER HEAD



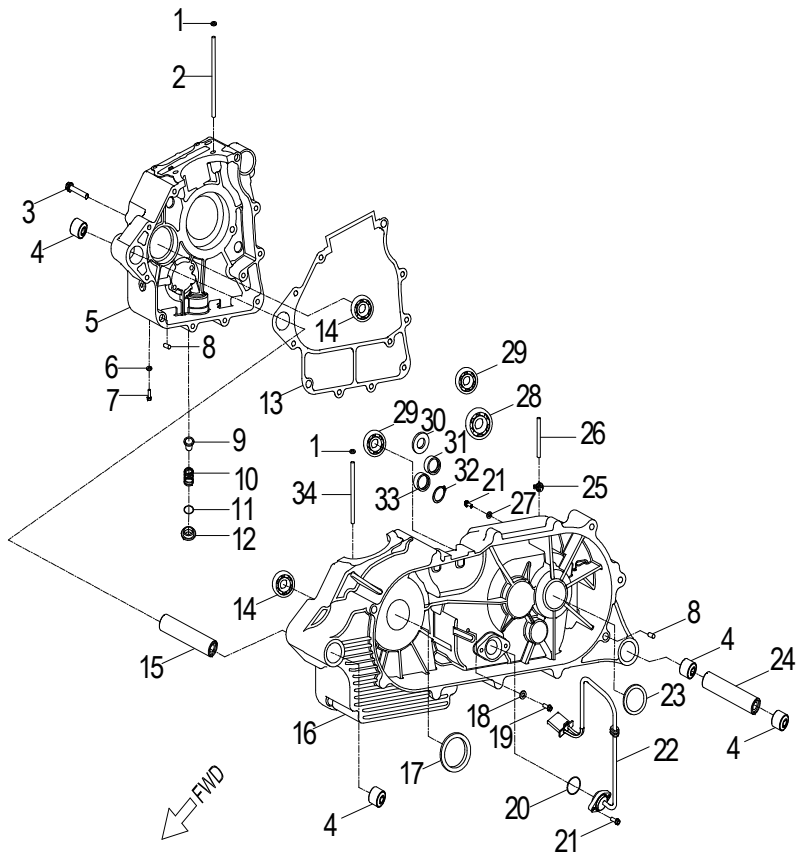
| ITEM | DESCRIPTION | P/N | Q"TY | Note |
|------|----------------------------|-------------------|------|---------------|
| 1 | Bolt | 96000-060258-08C | 7 | M6*P1.0*25L |
| 2 | Bolt | 96000-060308-08C | 1 | M6*P1.0*30L |
| 3 | Washer | 94101-0612010-00U | 2 | b6.5* φ 12*t1 |
| 4 | Asm., Head Cover | 1231069T-000 | 1 | |
| 5 | Gasket , Head Cover | 1239169S-000 | 1 | |
| 6 | Nut | 94050-06000-00C | 2 | M6*P1.0 |
| 7 | Washer | 94101-0613020-U00 | 2 | |
| 8 | Stud | 91001-061158-00C | 2 | |
| 9 | Bearing, Ball | 96100-60020-00000 | 1 | |
| 10 | Pin, Dowell | 1447569S-000 | 2 | |
| 11 | Seat, Valve, Spring, Outer | 1477569S-000 | 4 | |
| 12 | Seal, Valve | 1220962B-000 | 4 | |
| 13 | Clip, Retainer | 1478169S-000 | 8 | |
| 14 | Spring, Valve, Outer | 1475169S-000 | 4 | |
| 15 | Retainer, Valve, Spring | 1477169S-000 | 4 | |
| 16 | Pin, Dowell | 94301-08080 | 4 | |
| 17 | Cover, Head , RH | 1233169S-000 | 1 | |
| 18 | O-Ring | 93216-00725 | 1 | |
| 19 | Bolt | 96000-060208-08C | 1 | M6*P1.0*20L |
| 20 | Gasket, Cam Cover | 1233269S-000 | 1 | |
| 21 | Bearing, Ball | 96100-60000-Z00C3 | 1 | |
| 22 | Plug, Spark | 9807650N-000 | 1 | |
| 23 | O-Ring | 93210-04320 | 1 | |
| 24 | Insulator, Cylinder head | 1711269S-000 | 1 | |
| 25 | O-Ring | 93210-04330 | 1 | |
| 26 | Asm., Manifold, Intake | 1710069S-000 | 1 | |
| 27 | Strap | 94520-04064 | 2 | |
| 28 | Adapter, Carburetor | 1614669S-000 | 1 | |
| 29 | Stud | 91001-060408-00C | 2 | M6*P1.0*40L |
| 30 | Valve, Intake | 1471169S-000 | 2 | |
| 31 | Valve, Exhaust | 1472169S-000 | 2 | |
| 32 | Head, Cylinder | 1220169S-000 | 1 | |
| 33 | Stud | 91001-080378-00C | 2 | |
| 34 | Nut | 94022-06000-00C | 2 | |
| 35 | Gasket Set | 1225069S-000 | 1 | |
| 36 | Pin, Dowel | 94301-10140 | 2 | φ10*14L |
| 37 | Cylinder | 1210069S-000 | 1 | |
| 38 | Bolt | 96000-060308-08C | 2 | M6*P1.0*30L |
| 39 | Gasket, Cylinder | 1219169S-000 | 1 | |

D-2:PISTON , CRANKSHAFT

| ITEM | DESCRIPTION | P/N | Q"TY | Note |
|------|-----------------------|-------------------|------|--------------|
| 1 | Shaft, Balancer | 1342069S-000 | 1 | |
| 2 | Washer | 94101-0832030-000 | 1 | |
| 3 | Bolt | 96000-080148-OKL | 1 | M8*P1.25*14L |
| 4 | Asm., Crankshaft | 1300069S-000 | 1 | |
| 5 | Washer | 94101-1426020-00C | 1 | 14.2* φ 26*t |
| 6 | Nut | 94001-14000-00C | 1 | M14*P1.5 |
| 7 | Spring, Oil | 1544739A-000 | 1 | |
| 8 | Tube, Oil, Crankshaft | 1544139A-000 | 1 | |
| 9 | Clip, Piston Pin | 1311550A-000 | 2 | |
| 10 | Pin, Piston | 1311169S-000 | 1 | |
| 11 | Piston | 1310069S-000 | 1 | |
| 12 | Key, Woodruff | 90471-25404 | 1 | |
| 13 | Ring Set, Piston | 1301169S-000 | 1 | |

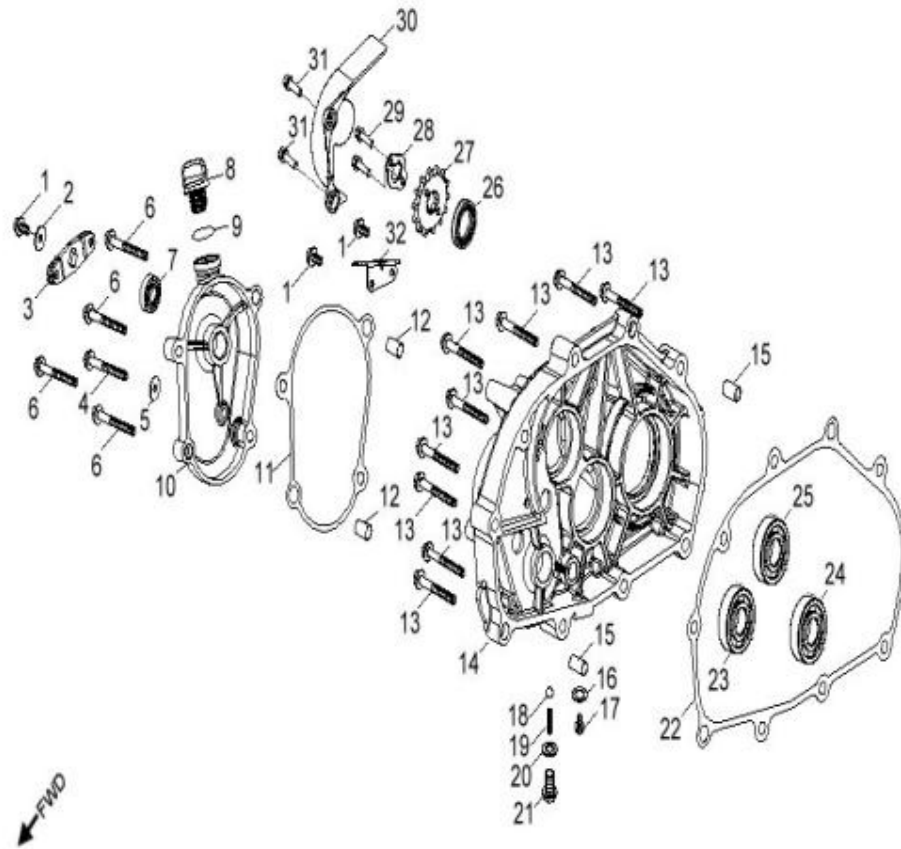


D-3:CRANKCASE



| ITEM | DESCRIPTION | P/N | Q"TY | Note |
|------|-----------------------|-------------------|------|---------------|
| 1 | Washer | 94108-0816030-00C | 4 | |
| 2 | Stud | 91001-081818-00B | 2 | |
| 3 | Bolt | 96000-060508-08C | 4 | M6*P1.0*50L |
| 4 | Bushing | 96400-102824 | 4 | |
| 5 | Crankcase, Rh | 1110150A-000 | 1 | |
| 6 | Washer | 94101-1221320-00L | 1 | 2.1* φ 21.3* |
| 7 | Bolt | 96003-120158-17C | 1 | M12*P1.25*15L |
| 8 | Pin, Dowel | 94301-10140 | 4 | φ10*14L |
| 9 | Screen | 15421119-000 | 1 | |
| 10 | Spring, Screen | 15426119-000 | 1 | |
| 11 | O-Ring | 93212-03132 | 1 | |
| 12 | Plug, Drain, Oil | 11334119-000 | 1 | |
| 13 | Gasket | 1119150A-002 | 1 | |
| 14 | Bearing, Ball | 96100-63040-00000 | 2 | |
| 15 | Spacer, Collar | 1115050A-000 | 1 | |
| 16 | Crankcase, Lh | 1120150A-001 | 1 | |
| 17 | Seal, Oil | 96504-304207FKM | 1 | |
| 18 | Washer | 94101-0624016-00G | 1 | 5.1* φ 24*t1. |
| 19 | Bolt | 96000-060108-08C | 1 | M6*P1.0*10L |
| 20 | O-Ring | 93212-02620 | 1 | 25.7*1.9 |
| 21 | Bolt | 96000-060128-08C | 4 | M6*P1.0*12L |
| 22 | Asm., Sensor, Shifter | 3575950S-000 | 1 | |
| 23 | Seal, Oil | 96504-253807FKM | 1 | |
| 24 | Spacer, Collar, Rear | 1115150A-000 | 1 | |
| 25 | Clamp | 94515-12008 | 1 | 12*8 |
| 26 | Hose | 94408-09013-400 | 1 | |
| 27 | Washer | 94101-0618015-00K | 2 | 5.1* φ 18*t1. |
| 28 | Bearing, Ball | 96100-63050-00000 | 1 | |
| 29 | Bearing, Ball | 96100-62040-00000 | 2 | |
| 30 | Washer | 94101-1733015-000 | 1 | 7.2* φ 33*t1 |
| 31 | Bearing, Needle | 91120-172518 | 1 | |
| 32 | Clip, Cir | 94511-2500S | 1 | 25mm |
| 33 | Bearing, Needle | 96200-202715 | 1 | |
| 34 | Stud | 91001-081888-00B | 2 | |

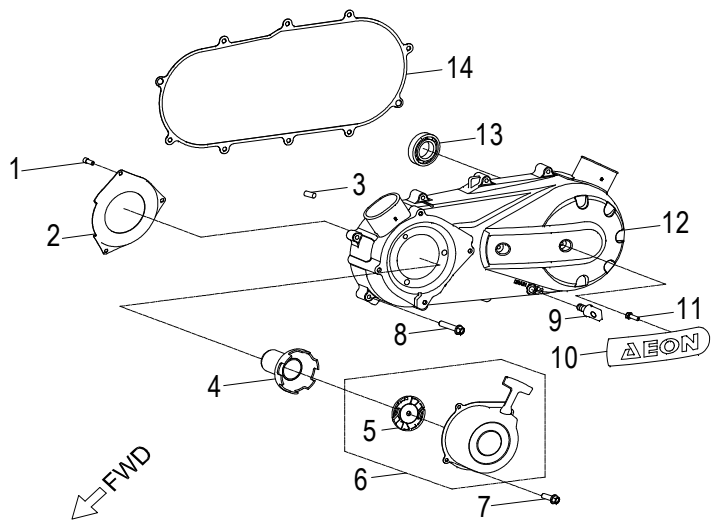
D-4:DRIVE ASSEMBLY,REAR



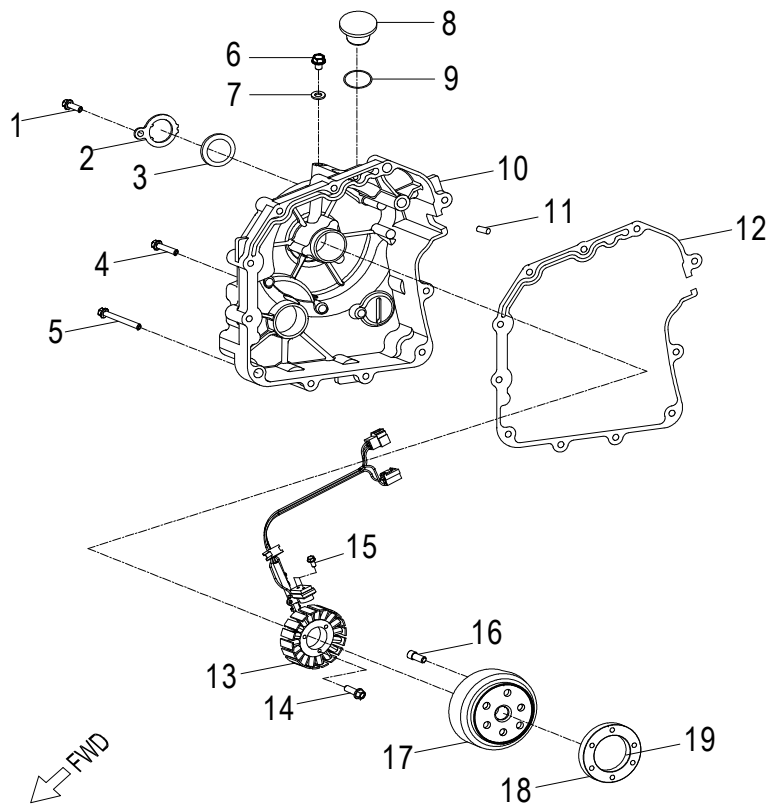
| ITEM | DESCRIPTION | P/N | Q"TY | Note |
|------|----------------------------|-------------------|------|---------------|
| 1 | Bolt | 96000-060168-10K | 3 | M6*P1.0*16L |
| 2 | Washer | 94101-0618015-00K | 1 | 5.1* φ 18*t1. |
| 3 | Lever, Shift | 2131755C-000 | 1 | |
| 4 | Bolt | 96000-060088-00K | 1 | M6*P1.0*8L |
| 5 | Washer | 94101-0612010-00U | 1 | 6.5* φ 12*t1 |
| 6 | Bolt | 96000-060358-08C | 4 | M6*P1.0*35L |
| 7 | Seal, Oil | 96500-142807A7271 | 1 | 14*28*7 |
| 8 | Plug, Oil | 15650111-001 | 1 | |
| 9 | O-Ring | 93210-01425 | 1 | φ13.8*t2.5 |
| 10 | Cover, Shift | 2136150S-000 | 1 | |
| 11 | Gasket, Inspection Cover | 2136250S-002 | 1 | |
| 12 | Pin, Dowel | 94301-08140 | 2 | 8*14 |
| 13 | Bolt | 96000-080458-00C | 9 | M8*P1.25*45L |
| 14 | Cover, Transmission | 2130155C-000 | 1 | |
| 15 | Pin, Dowel | 94301-10140 | 2 | φ10*14L |
| 16 | Washer | 94101-1221320-00L | 1 | 2.1* φ 21.3* |
| 17 | Bolt | 96000-120158-14C | 1 | M12*P1.25*15L |
| 18 | Ball, Steel | 2132239A-000 | 1 | |
| 19 | Spring, Detent | 2430655E-000 | 1 | |
| 20 | Washer | 94101-1422010-00L | 1 | 14.2* φ 22*t |
| 21 | Bolt | 2430539A-000 | 1 | |
| 22 | Gasket, Transmission Cover | 2139550A-002 | 1 | |
| 23 | Bearing, Ball | 96100-63040-00000 | 1 | |
| 24 | Bearing, Ball | 96100-63050-00000 | 1 | |
| 25 | Bearing, Ball | 96100-62040-00000 | 1 | |
| 26 | Seal, Oil | 96504-255207NBR | 1 | |
| 27 | Sprocket, Drive | 23801159-001 | 1 | 17T |
| 28 | Bracket, Sprocket | 23811201-000 | 1 | |
| 29 | Bolt | 92000-060108-00C | 2 | M6*P1.0*10L |
| 30 | Shield | 40510201-000 | 1 | |
| 31 | Bolt | 93501-060168-00K | 2 | P1.0*16L W/W; |
| 32 | Adaptor, Shift Cable | 2134155C-000 | 1 | |

D-5:CRANKCASE COVER,LH

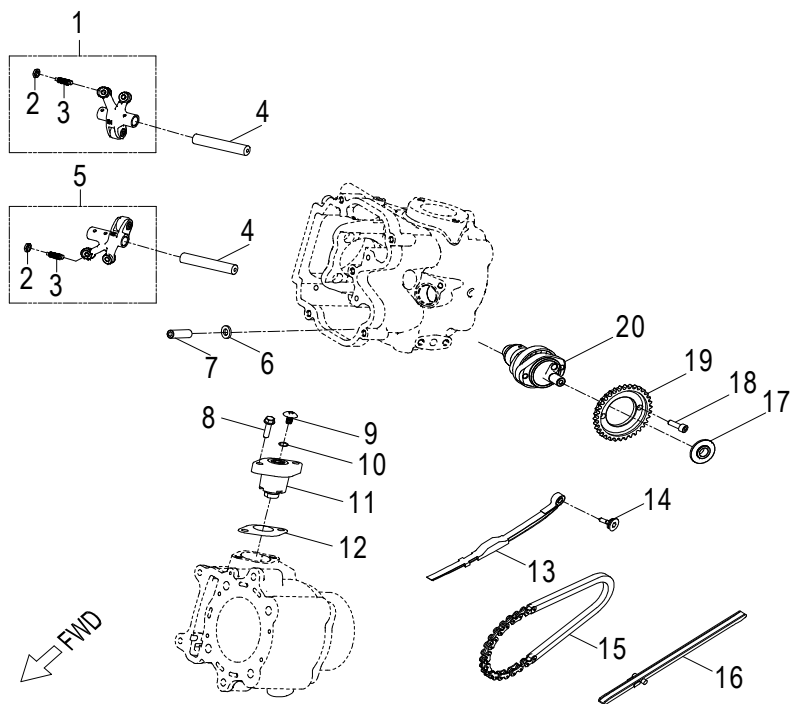
| ITEM | DESCRIPTION | P/N | Q"TY | Note |
|------|---------------------------|---------------------|------|--------------|
| 1 | Bolt | 91003-060088-00K | 3 | |
| 2 | Wind Guider, Drive Clutch | 1133969S-000 | 1 | |
| 3 | Pin, Dowel | 94301-10140 | 2 | φ10*14L |
| 4 | Ratchet, Recoil | 2210769S-000 | 1 | |
| 5 | Sliding Cover Comp | 1170650A-000 | 1 | |
| 6 | Recoil, Starter | 1135050A-000 | 1 | |
| 7 | Bolt | 96000-060168-10K | 4 | M6*P1.0*16L |
| 8 | Bolt | 96000-060408-08C | 10 | M6*P1.0*40L |
| 9 | Drain plug | 11353201-000 | 1 | |
| 10 | Tablet, Logo | 1134750A-000 | 1 | |
| 11 | Bolt | 96000-050128-00K | 2 | M5*P0.8*12L |
| 12 | Cover, Clutch | 1134169S-000 | 1 | |
| 13 | Bearing, Ball | 96100-6004-LLUC3/ZG | 1 | 004LLUC3/L54 |
| 14 | Gasket | 1135950A-002 | 1 | |



D-6:CRANKCASE COVER ,RH



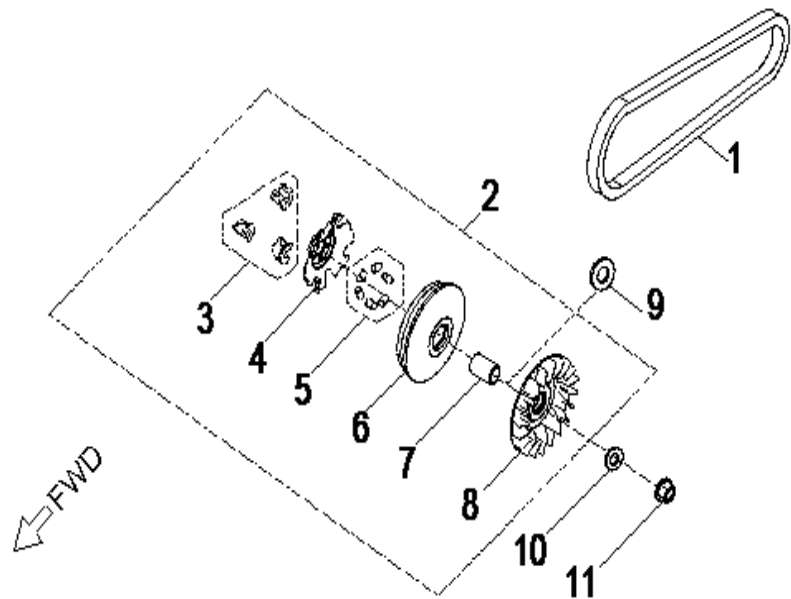
| ITEM | DESCRIPTION | P/N | Q"TY | Note |
|------|-----------------------|-------------------|------|---------------|
| 1 | Bolt | 96000-060128-08C | 1 | M6*P1.0*12L |
| 2 | Retainer, Sight Glass | 1133350S-000 | 1 | |
| 3 | Oil Windows | 1120250A-000 | 1 | |
| 4 | Bolt | 96000-060458-08C | 4 | M6*P1.0*45L |
| 5 | Bolt | 96000-061359-08G | 7 | |
| 6 | Bolt | 96000-060108-10K | 1 | M6*P1.0*10L |
| 7 | Washer | 94101-0612010-00U | 1 | ø6.5* φ 12*t1 |
| 8 | Cap(Nickel Silver) | 96600-30075000000 | 1 | |
| 9 | O-Ring | 93210-02724 | 1 | φ27.4*t2.4 |
| 10 | Crankcase Cover, Rh | 1133550A-000 | 1 | |
| 11 | Pin, Dowel | 94301-10140 | 2 | φ10*14L |
| 12 | Gasket, Crankcase, RH | 1139350A-002 | 1 | |
| 13 | Stator | 3112062E-000 | 1 | |
| 14 | Screw | 91300-050258-00C | 3 | ø0.8*25L W/W: |
| 15 | Bolt | 92000-050128-00C | 2 | M5*P0.8*12L |
| 16 | Bolt | 91000-080188-00C | 6 | |
| 17 | Flywheel | 3111069F-000 | 1 | |
| 18 | Outer, One Way | 2812169N-000 | 1 | |
| 19 | Asm., Rollor, One Way | 2813069N-000 | 1 | |



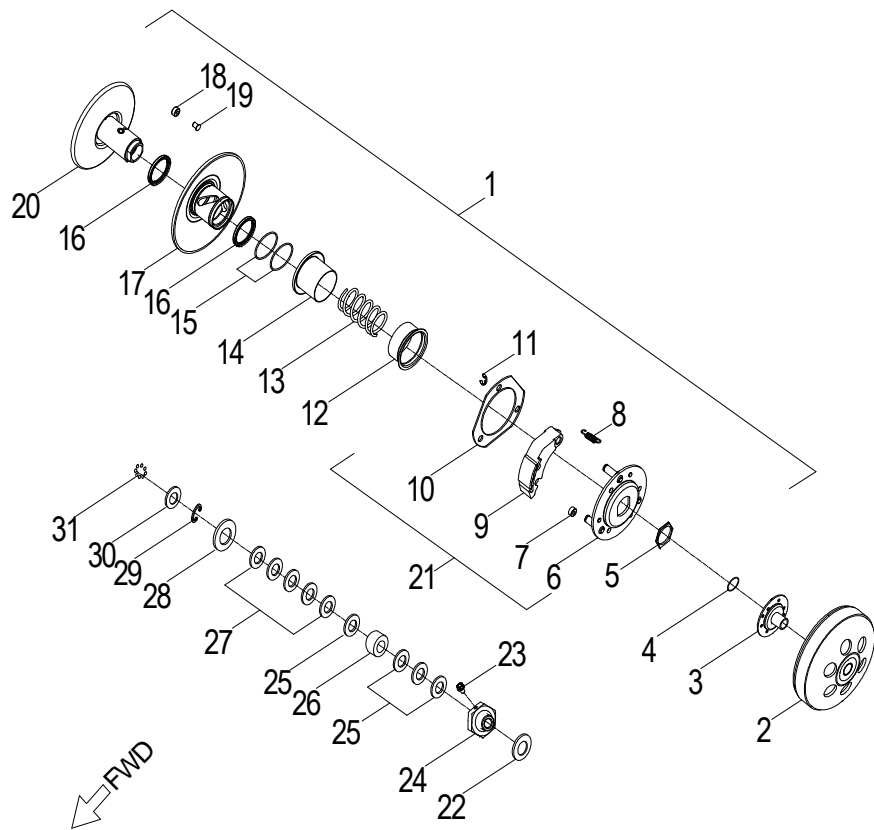
| ITEM | DESCRIPTION | P/N | Q"TY | Note |
|------|-------------------------------|-------------------|------|-------------|
| 1 | Arm Comp,Valve Rocker Intake | 1443069F-000 | 1 | |
| 2 | Nut,Tappet Adjusting | 14433140-000 | 4 | |
| 3 | Screw,Tappet Adjusting | 14432140-000 | 4 | |
| 4 | Shaft,Valve Rocker Arm | 1445169S-000 | 2 | |
| 5 | Arm Comp,Valve Rocker Exhaust | 1444069F-000 | 1 | |
| 6 | Washer | 94108-0816030-00C | 4 | |
| 7 | Nut, Head | 1221869S-000 | 4 | |
| 8 | Bolt | 96000-060228-14C | 2 | M6*P1.0*22L |
| 9 | Screw | 93000-060068-00K | 1 | M6*P1.0*6L |
| 10 | O-Ring | 93210-00915 | 1 | 9.5*1.5 |
| 11 | Tensioner | 1452150N-000 | 1 | |
| 12 | Gasket, Tensioner | 14523119-002 | 1 | |
| 13 | Guide, Cam Chain, RH | 1455050A-000 | 1 | |
| 14 | Pivot, Guide | 1453550A-000 | 1 | |
| 15 | Chain, Cam | 1440169S-000 | 1 | |
| 16 | Guide, Cam Chain, LH | 1450050N-000 | 1 | |
| 17 | Decompressor, Cam | 1415769S-000 | 1 | |
| 18 | Bolt | 91000-060128-0KL | 2 | |
| 19 | Sprocket, Camshaft | 1410869S-000 | 1 | |
| 20 | Asm., Cam Shaft | 1440050T-000 | 1 | |

D-8:DRIVE CLUTCH

| Item | Description | Part number | Q.ty | Note |
|------|-------------------------------|-------------------|------|-------------|
| 1 | Belt, Driven | 2310062F-000 | 1 | |
| 2 | Asm., Sliding | 2210369S-000 | 1 | |
| 3 | Bushing, Slider | 2213369N-000 | 1 | |
| 4 | Plate, Sheave | 2213169S-000 | 1 | |
| 5 | Roller | 2212069S-000 | 1 | |
| 6 | Wheel, Slot, Sliding, Primary | 2211062E-000 | 1 | |
| 7 | Bushing, Sheave | 2210669S-000 | 1 | |
| 8 | Sheave, moveable | 2210262E-000 | 1 | |
| 9 | Washer | 94101-1733015-000 | 1 | 17.2x33x1.5 |
| 10 | Washer | 94121-1426016-000 | 1 | 14x26x1.6 |
| 11 | Nut | 94050-14021-00C | 1 | |

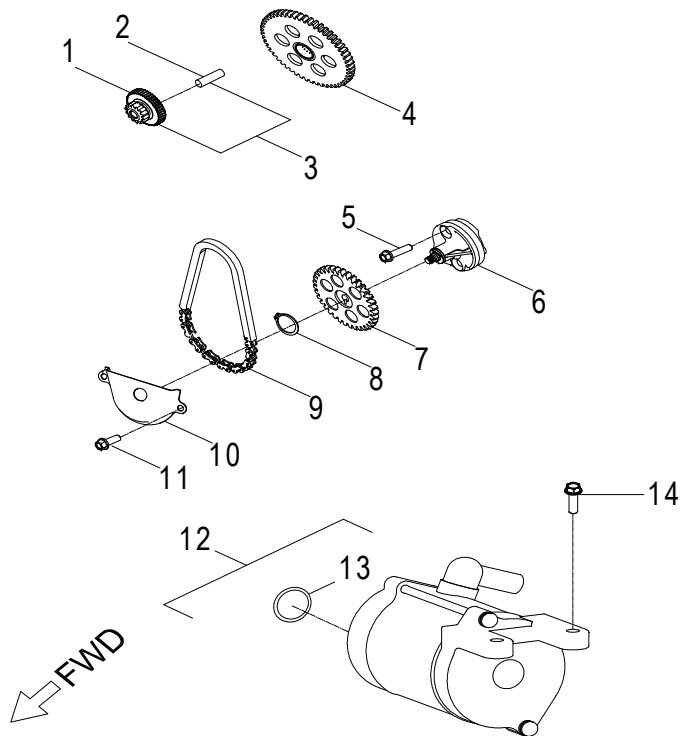


D-9:DRIVEN CLUTCH

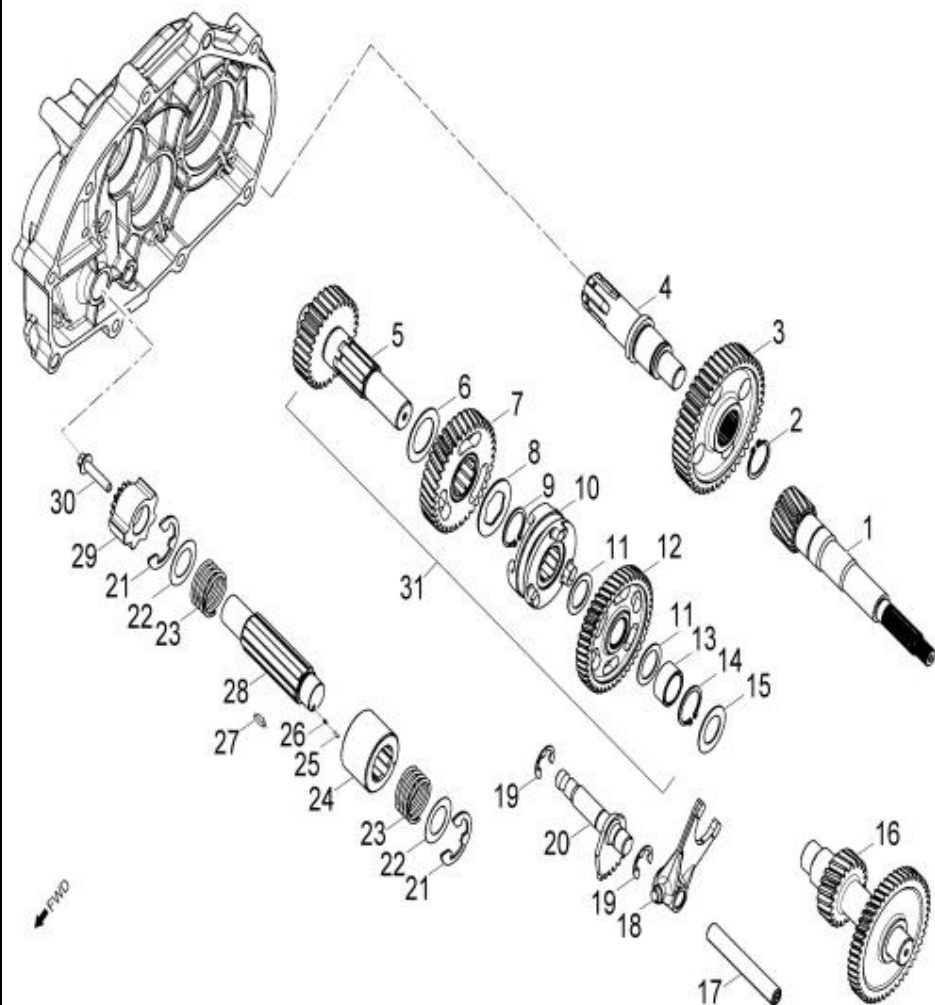


| ITEM | DESCRIPTION | P/N | Q"TY | Note |
|------|---------------------|-------------------|------|--------------|
| 1 | Asm., Driven Clutch | 2200069S-000 | 1 | |
| 2 | Clutch, Outer | 2210062E-000 | 1 | |
| 3 | Hold, Cam | 2210139A-000 | 1 | |
| 4 | O-Ring | 93214-02031 | 1 | |
| 5 | Nut | 95111-0001C-000 | 1 | M28 |
| 6 | Plate, Drive, Inner | 2235062E-000 | 1 | |
| 7 | Bushing, Rubber | 2280469N-000 | 3 | |
| 8 | Spring, Clutch | 2240162E-000 | 3 | |
| 9 | Weight, Clutch | 2253569N-000 | 3 | |
| 10 | Plate, Drive, Side | 2235162E-000 | 1 | |
| 11 | Clip, Cir | 94511-0700E | 3 | |
| 12 | Seal, Collor | 2323962E-000 | 1 | |
| 13 | Spring, Clutch | 2323362E-000 | 1 | |
| 14 | Seal, Collor | 2323762E-000 | 1 | |
| 15 | O-Ring | 93214-04720 | 2 | |
| 16 | Seal, Oil | 96500-404704FKM | 2 | |
| 17 | Sheave, Moveable | 2322062E-001 | 1 | |
| 18 | Roller, Guide | 2322662E-000 | 3 | |
| 19 | Pin, Guide | 2322562E-000 | 3 | |
| 20 | Sheave, Driven | 2320062E-000 | 1 | |
| 21 | Asm., Driven Shoes | 2200162E-000 | 1 | |
| 22 | Washer | 94121-2038005-00K | 1 | |
| 23 | Bolt | 91205-050088-0KL | 1 | M5*P0.8*8L |
| 24 | Nut, Driven | 2210539A-000 | 1 | |
| 25 | Washer | 94101-2538010-000 | 4 | φ25* φ 38*t1 |
| 26 | Guide, Cam | 2210839A-000 | 1 | |
| 27 | Washer, Special | 94122-2550020-00K | 5 | 25.2* φ 50*t |
| 28 | Retainer, Ball | 2210439A-000 | 1 | |
| 29 | Clip, Cir | 94511-250IS | 1 | |
| 30 | Washer | 94101-2531010-00K | 1 | 5.2* φ 31.3* |
| 31 | Ball, Steel | 96211-07000 | 8 | |

D-10:OIL PUMP/STARTING MOTOR

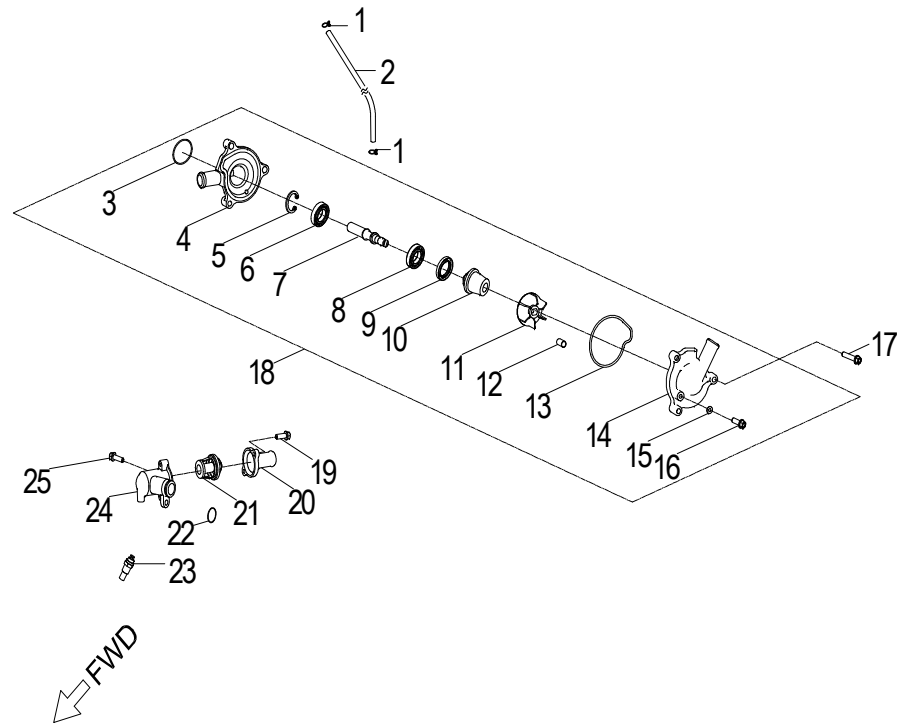


| ITEM | DESCRIPTION | P/N | Q"TY | Note |
|------|----------------------|------------------|------|-------------|
| 1 | Gear, Starter | 2842350A-000 | 1 | |
| 2 | Shaft, Starter Motor | 2842450A-000 | 1 | |
| 3 | Asm., Gear Starter | 2842250A-000 | 1 | Incl. 1~2 |
| 4 | Gear, Starter | 2822069N-000 | 1 | |
| 5 | Bolt | 96000-060308-08C | 2 | M6*P1.0*30L |
| 6 | Asm., Oil Pump | 1500050A-000 | 1 | |
| 7 | Sprocket, Oil Pump | 1515050A-000 | 1 | |
| 8 | Clip, Cir | 94511-1000S | 1 | |
| 9 | Chain, Oil Pump | 1514150A-000 | 1 | |
| 10 | Cover, Oil Pump | 1571150A-000 | 1 | |
| 11 | Bolt | 96000-060128-08C | 2 | M6*P1.0*12L |
| 12 | Motor, Starter | 3120062E-000 | 1 | |
| 13 | O-Ring | 93210-02431 | 1 | 24.4*3.1 |
| 14 | Bolt | 96000-060208-08C | 2 | M6*P1.0*20L |



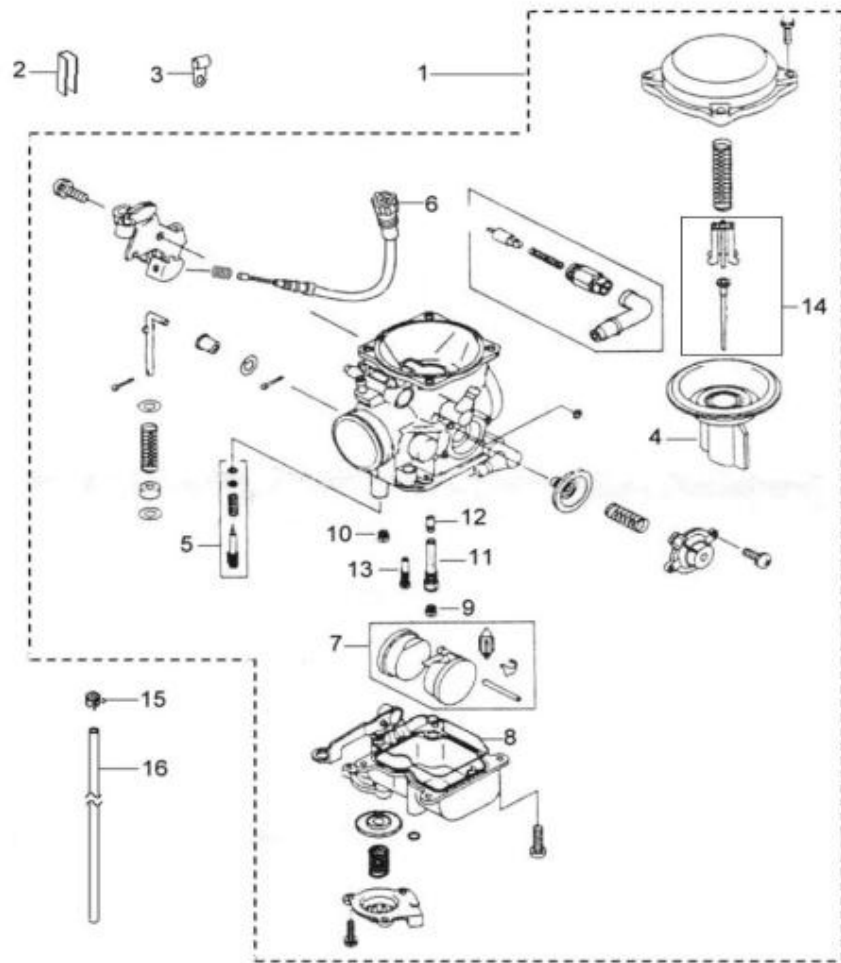
| ITEM | DESCRIPTION | P/N | Q"TY | Note |
|------|----------------------|-------------------|------|--------------|
| 1 | Shaft, Drive | 2341150S-000 | 1 | |
| 2 | Clip, Cir | 94511-2400S | 1 | |
| 3 | Gear,Output | 2343255C-000 | 1 | |
| 4 | Pinion,Output | 2343155C-000 | 1 | |
| 5 | Shaft, Transmission | 2344150A-000 | 1 | |
| 6 | Washer | 94101-2538010-000 | 1 | p25* φ 38*t1 |
| 7 | Gear Set, Reverse | 2346050A-000 | 1 | |
| 8 | Washer, Spline | 2343550A-000 | 1 | |
| 9 | Clip, Cir | 94511-2500S | 1 | 25mm |
| 10 | Ratchet, Shift | 2243050A-001 | 1 | |
| 11 | Washer | 94101-2027010-000 | 2 | p20* φ 27*t1 |
| 12 | Asm., Gear, Spur | 2345050A-001 | 1 | |
| 13 | Collar, Shaft | 2344250A-000 | 1 | |
| 14 | Clip, Cir | 94511-2000S | 1 | |
| 15 | Washer | 94101-2033010-000 | 1 | p20* φ 33*t1 |
| 16 | Asm., Shaft, Counter | 2342050A-000 | 1 | |
| 17 | Shaft, Gear Shift | 2424150S-000 | 1 | |
| 18 | Fork, Shift | 2423150A-000 | 1 | |
| 19 | E-Clip | 94513-1200E | 2 | |
| 20 | Spindle | 2461150S-000 | 1 | |
| 21 | E-Clip | 94513-1900E | 2 | |
| 22 | Washer | 94101-2032005-000 | 2 | 20* φ 32*t0. |
| 23 | Recoil, Shift | 2430350S-001 | 2 | |
| 24 | Drum, Gear Shifter | 2430150S-000 | 1 | |
| 25 | Roller, Drum Sensor | 2425239A-000 | 1 | |
| 26 | Spring, Drum Sensor | 2425339A-000 | 1 | |
| 27 | Key, Woodruff | 90472-40420 | 1 | |
| 28 | Shaft, Shift Drum | 2430850S-000 | 1 | |
| 29 | Gear , Drum Shift | 2431050S-000 | 1 | |
| 30 | Bolt | 96000-060288-10C | 1 | M6*P1.0*28L |
| 31 | Asm., Transmission | 2344050A-000 | 1 | Incl. 5~15 |

D-12:WATER PUMP



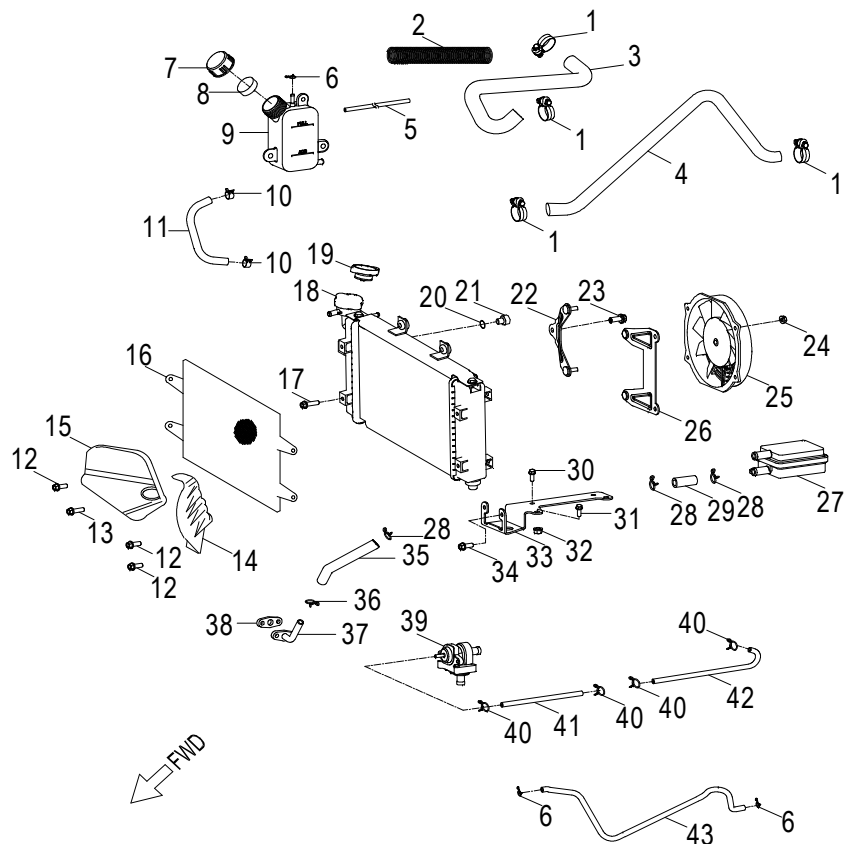
| ITEM | DESCRIPTION | P/N | Q"TY | Note |
|------|-----------------------|-------------------|------|-------------|
| 1 | Clamp | 1922250A-000 | 2 | |
| 2 | Hose | 1950250A-001 | 1 | |
| 3 | O-Ring | 93210-02920 | 1 | 29*2.0 |
| 4 | Body, Water Pump | 1921150A-000 | 1 | |
| 5 | Clip, Cir | 94512-2600R | 1 | |
| 6 | Bearing, Ball | 96100-60000 | 1 | |
| 7 | Shaft, Water Pump | 1923150A-000 | 1 | |
| 8 | Bearing, Ball | 96100-69010 | 1 | |
| 9 | Seal, Oil | 96500-122207 | 1 | |
| 10 | Seal, Mechanical | 1921750A-000 | 1 | |
| 11 | Impeller, Water Pump | 1921550A-000 | 1 | |
| 12 | Pin, Dowel | 94301-08140 | 2 | 8*14 |
| 13 | Gasket | 1922950A-000 | 1 | |
| 14 | Flange, Water Pump | 1922150A-000 | 1 | |
| 15 | Washer | 94101-0612010-00U | 1 | 6.5*φ 12*t1 |
| 16 | Bolt | 96000-060128-08C | 1 | M6*P1.0*12L |
| 17 | Bolt | 96000-060408-08C | 3 | M6*P1.0*40L |
| 18 | Asm., Water Pump | 1921050A-000 | 1 | |
| 19 | Bolt | 96000-050168-00C | 2 | M5*P0.8*16L |
| 20 | Flange, Thermostatic | 1931550N-000 | 1 | |
| 21 | Bimetal, Thermostatic | 1930050A-000 | 1 | |
| 22 | O-Ring | 93212-01719 | 1 | |
| 23 | Sensor, Thermostatic | 1931950A-000 | 1 | |
| 24 | Housing, Thermostatic | 1931150A-000 | 1 | |
| 25 | Bolt | 96000-060188-08C | 1 | M6*P1.0*18L |

D-13: CARBURETOR



| ITEM | DESCRIPTION | P/N | Q"TY | Note |
|------|---------------------------|-----------------|------|------|
| 1 | Asm., Carburetor | 1610069S-000 | 1 | |
| 2 | Limiting Plate, Throttle | 16163201-000 | 1 | |
| 3 | Cable Fastener | 45458205-000 | 1 | |
| 4 | Throttle Valve, Diaphragm | 1605069S-000 | 1 | |
| 5 | Screw, Air | 1611569S-000 | 1 | |
| 6 | Screw, Idle | 1611469S-000 | 1 | |
| 7 | Float | 1612369S-000 | 1 | |
| 8 | Seal, Float | 1610669S-000 | 1 | |
| 9 | Jet, Main | 1610869S-000 | 1 | |
| 10 | Jet, Choke | 1621469S-000 | 1 | |
| 11 | Valve, Needle | 1610569S-000 | 1 | |
| 12 | Needle, Jet | 1615069S-000 | 1 | |
| 13 | Jet, Pilot | 1611069S-000 | 1 | |
| 14 | Asm., Jet Needle | 1610469S-000 | 1 | |
| 15 | Clamp | 94515-07807 | 1 | |
| 16 | Tube, Oil | 94403-04008-430 | 1 | |

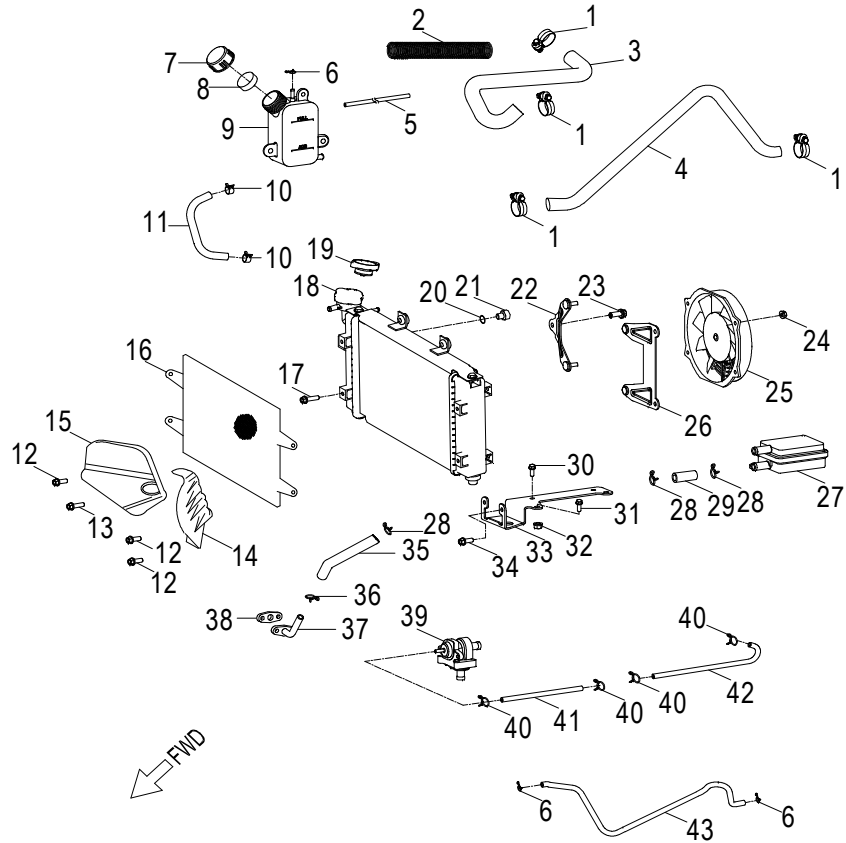
D-14:RADIATOR



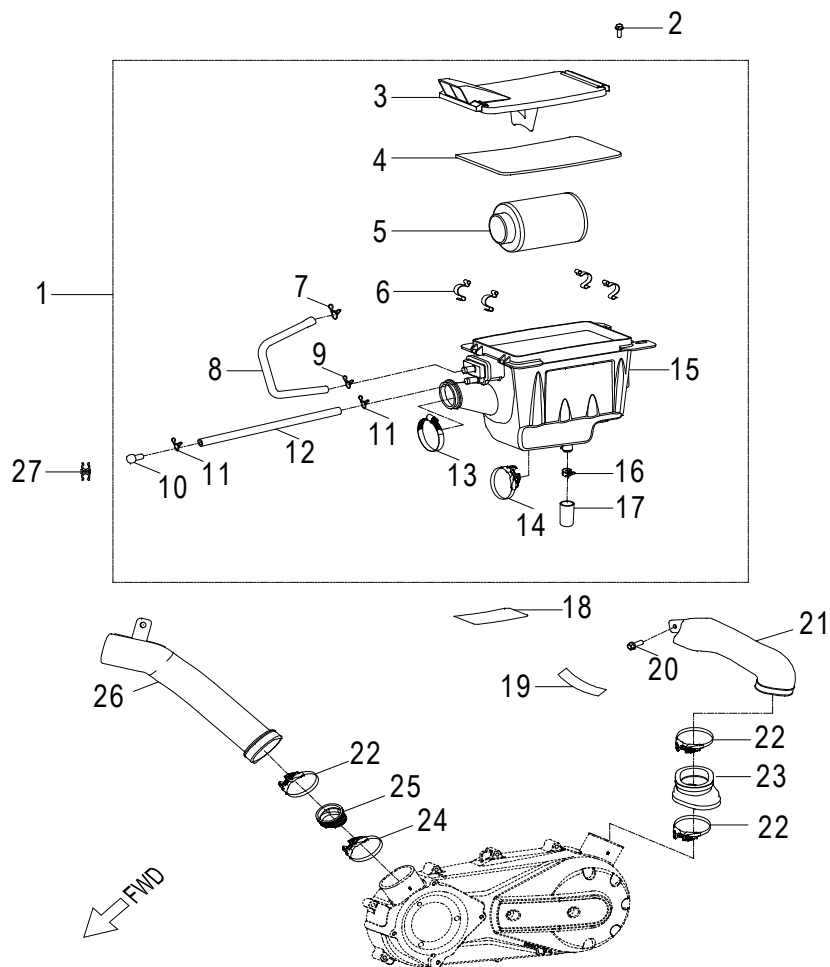
| ITEM | DESCRIPTION | P/N | Q"TY | Note |
|------|-----------------------------|------------------|------|--------------|
| 1 | Clamp | 1922250A-000 | 4 | |
| 2 | Spring, Coolant Hose | 1950762U-000 | 1 | |
| 3 | Hose, Inlet, Radiator | 19503206-000 | 1 | |
| 4 | Hose, Outlet, Radiator | 19501202-000 | 1 | |
| 5 | Hose | 94408-05007-450 | 1 | |
| 6 | Clip | 94510-06500 | 3 | |
| 7 | Cap, Expansion Tank | 1910250A-000 | 1 | |
| 8 | Boot, Duct | 1726950A-000 | 1 | |
| 9 | Tank, Expansion | 1910150A-000 | 1 | |
| 10 | Clamp | 94515-12008 | 2 | 12*8 |
| 11 | Hose, Inlet, Expansion Tank | 19506203-000 | 1 | |
| 12 | Bolt | 96007-060188-00K | 3 | 1.0*18L W/W: |
| 13 | Bolt | 96007-060278-00K | 1 | 1.0*27L W/W: |
| 14 | Wind Panel, Radiator, LH | 19116201-000 | 1 | |
| 15 | Wind Panel, Radiator, RH | 19117201-000 | 1 | |
| 16 | Radiator Cover | 1911562E-000 | 1 | |
| 17 | Bolt | 96007-060228-00K | 2 | 1.0*22L W/W: |
| 18 | Radiator | 1901162E-000 | 1 | |
| 19 | Cap, Water | 1911150A-000 | 1 | |
| 20 | O-Ring | 93210-01020 | 1 | 9.8*1.9 NBR |
| 21 | Switch, Thermosatic | 1932550A-000 | 1 | |
| 22 | Bracket, Fan, Right | 1900662E-000 | 1 | |
| 23 | Screw | 93003-060168-00K | 3 | 1.0*16L W/W: |
| 24 | Nut | 94050-06000-00C | 4 | M6*P1.0 |
| 25 | Asm., Fan | 1900562E-000 | 1 | |
| 26 | Bracket, Fan, Left | 1900762E-000 | 1 | |
| 27 | Asm.,Filter, Daul- Intake | 18995202-000 | 1 | |
| 28 | Clip | 94510-15000 | 3 | |
| 29 | Hose, Rubber | 96420-01016-052 | 1 | |
| 30 | Bolt | 96000-060168-08C | 2 | M6*P1.0*16L |
| 31 | Bolt | 96000-060128-0KL | 2 | M6*P1.0*12L |
| 32 | Nut | 94050-06000-00K | 2 | M6*P1.0 |
| 33 | Bracket, Dual- Intake | 1899850A-000 | 1 | |
| 34 | Bolt | 96000-060148-10K | 4 | M6*P1.0*14L |
| 35 | Hose | 18992203-000 | 1 | |
| 36 | Clip | 94510-13000 | 1 | |
| 37 | Tube, Dual- Intake | 18640207-000 | 1 | |
| 38 | Gasket, Hose | 1864639E-000 | 1 | |
| 39 | Valve, Dual-Intake | 1899955E-000 | 1 | |
| 40 | Clip | 94510-06500 | 4 | |

D-14:RADIATOR

| ITEM | DESCRIPTION | P/N | Q"TY | Note |
|------|---------------------------|-----------------|------|------|
| 41 | Hose | 94407-04007-160 | 1 | |
| 42 | Hose | 17533205-000 | 1 | |
| 43 | Hose, Bypass, Thermosatic | 19505208-000 | 1 | |



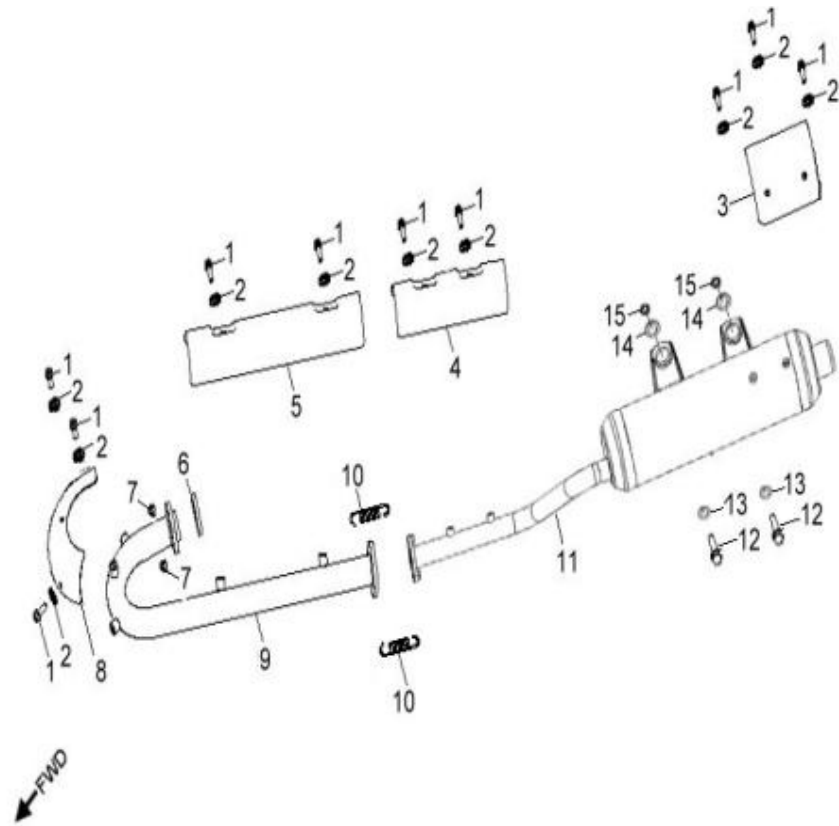
D-15: AIR CLEANER

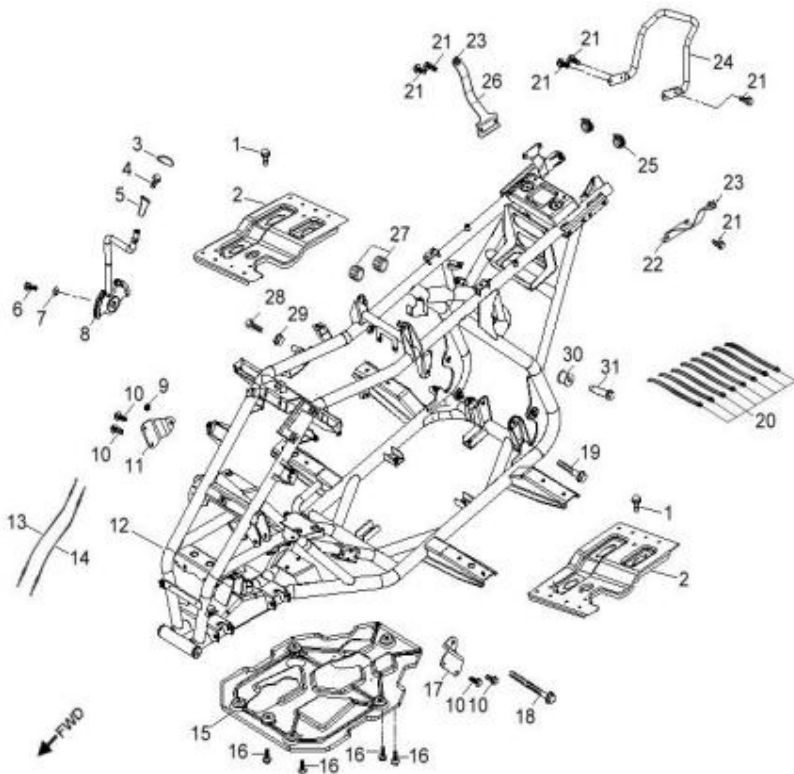


| ITEM | DESCRIPTION | P/N | Q"TY | Note |
|------|----------------------------|------------------|------|--------------|
| 1 | Asm., Cleaner, Air | 17200224-002 | 1 | |
| 2 | Bolt | 92005-060168-00K | 2 | 1.0*16L W/W: |
| 3 | Cover, Air Cleaner | 17207207-000 | 1 | |
| 4 | Gasket | 3371639A-000 | 1 | |
| 5 | Filter, Air Cleaner | 17205201-001 | 1 | |
| 6 | Clip | 1720839A-000 | 4 | |
| 7 | Clip | 94510-14018 | 1 | 14*1.8 |
| 8 | Tube, Breather, Ventilated | 17381222-001 | 1 | |
| 9 | Clip | 94510-12016 | 1 | |
| 10 | Plug, Trap | 17370201-000 | 1 | |
| 11 | Clip | 94510-12012 | 2 | 12*1.2 |
| 12 | Tube, Breather, Ventilated | 17381207-000 | 1 | |
| 13 | Strap | 94520-05070 | 1 | |
| 14 | Strap | 89669221-000 | 1 | |
| 15 | Box, Air Cleaner | 17203213-000 | 1 | |
| 16 | Clip | 94510-21616 | 1 | |
| 17 | Hose, Drain | 94414-01613-060 | 1 | |
| 18 | Decal, Insulation | 87011210-000 | 1 | |
| 19 | Decal, Insulation | 87011219-000 | 1 | |
| 20 | Bolt | 92003-060168-00K | 1 | 1.0*16L W/W: |
| 21 | Duct, Outlet | 17256208-000 | 1 | |
| 22 | Strap | 89669212-000 | 3 | |
| 23 | Boot, Duct | 17269206-000 | 1 | |
| 24 | Strap | 89669204-000 | 1 | |
| 25 | Boot, Duct | 1726939A-001 | 1 | |
| 26 | Duct, Inlet | 1725562E-000 | 1 | |
| 27 | Strap, Oil Hose | 89753209-000 | 1 | |

D-16:EXHAUST PIPE

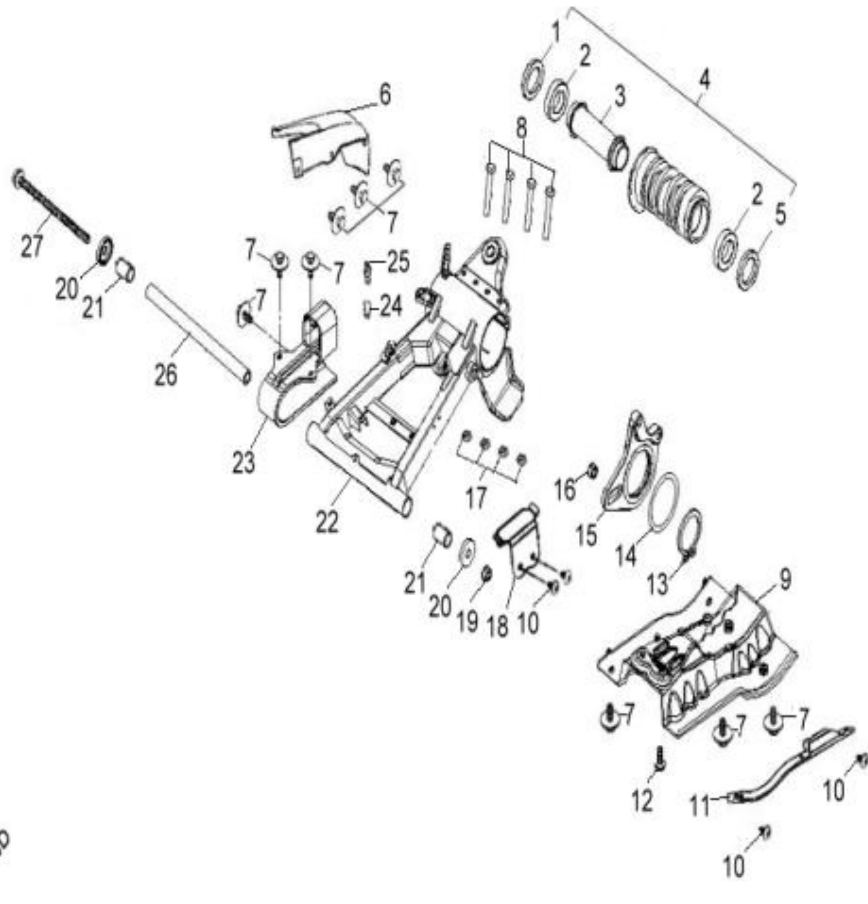
| ITEM | DESCRIPTION | P/N | Q"TY | Note |
|------|-------------------------|-------------------|------|-------------|
| 1 | Bolt | 96000-050108-00K | 10 | M5*P0.8*10L |
| 2 | Washer, Star | 94103-0600000-00C | 10 | M6*P1.0 |
| 3 | Shield, Exhaust | 18315223-000 | 1 | |
| 4 | Shield, Exhaust | 18315225-000 | 1 | |
| 5 | Shield, Exhaust | 18315224-001 | 1 | |
| 6 | Gasket | 94104-3830040-000 | 1 | |
| 7 | Nut | 94050-08000-00C | 2 | M8*P1.25 |
| 8 | Muffler Protector(iron) | 18314210-000 | 1 | |
| 9 | Pipe, Exhaust, Front | 18299231-001 | 1 | |
| 10 | Spring | 18297207-000 | 2 | |
| 11 | Silencer | 18298241-001 | 1 | |
| 12 | Bolt | 96000-080458-0KL | 2 | |
| 13 | Washer | 94101-0822020-00C | 2 | φ8* φ 22*t2 |
| 14 | Rubber Shim | 18323201-000 | 2 | |
| 15 | Spacer | 18324201-000 | 2 | |





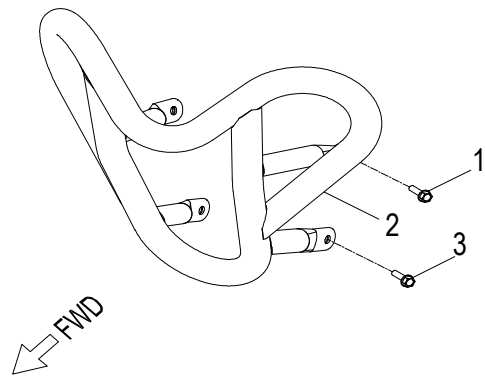
| ITEM | DESCRIPTION | P/N | Q"TY | Note |
|------|--------------------------|-------------------|------|---------------|
| 1 | Bolt | 96000-060128-10K | 2 | M6*P1.0*12L |
| 2 | Bracket, Footwell, RH | 5110555E-000 | 2 | |
| 3 | Cover | 21327201-000 | 1 | |
| 4 | Bolt | 96000-060128-10K | 1 | M6*P1.0*12L |
| 5 | Knob, Transmission Lever | 21328201-000 | 1 | |
| 6 | Bolt | 96000-080128-00K | 1 | M8*P1.25*12L |
| 7 | Washer | 94101-0822020-00C | 1 | φ8* φ 22*t2 |
| 8 | Gear Selector | 21319228-000 | 1 | |
| 9 | Nut | 90355-10000-17B | 1 | |
| 10 | Bolt | 96000-100209-0GL | 4 | |
| 11 | Mounting, Engine, Rh | 50908205-000 | 1 | |
| 12 | Asm., Frame | 50100374-067 | 1 | |
| 13 | Cable, Shift | 21335202-000 | 1 | |
| 14 | Cable, Shift | 21335203-000 | 1 | |
| 15 | Shield, Chassis | 50106203-000 | 1 | |
| 16 | Bolt | 92005-060168-00K | 4 | 1.0*16L W/W |
| 17 | Mounting, Engine, Lh | 50902205-000 | 1 | |
| 18 | Bolt | 96000-102008-00B | 1 | 110*P1.25*20C |
| 19 | Bolt | 96000-101369-00Z | 1 | |
| 20 | Strap | 89569131-000 | 8 | ALT-200M-B |
| 21 | Bolt | 92001-080168-00K | 7 | M8*P1.25*16L |
| 22 | Bracket, Rear Fender, LH | 50142201-000 | 1 | |
| 23 | Rubber | 50816153-000 | 2 | |
| 24 | Sissy Bar | 50105210-458 | 1 | |
| 25 | Cap, Rubber | 19611202-000 | 2 | |
| 26 | Bracket, Rear Fender, RH | 50141201-000 | 1 | |
| 27 | Grommet, Seat | 7722539A-000 | 2 | |
| 28 | Bolt | 96000-060168-10K | 1 | M6*P1.0*16L |
| 29 | Nut | 94050-06000-00K | 1 | M6*P1.0 |
| 30 | Chain Guider | 40525204-000 | 1 | |
| 31 | Bolt | 90108-120398-00K | 1 | M12*P1.25*39L |

D-18:REAR SWIM ARM ASSEMBLY

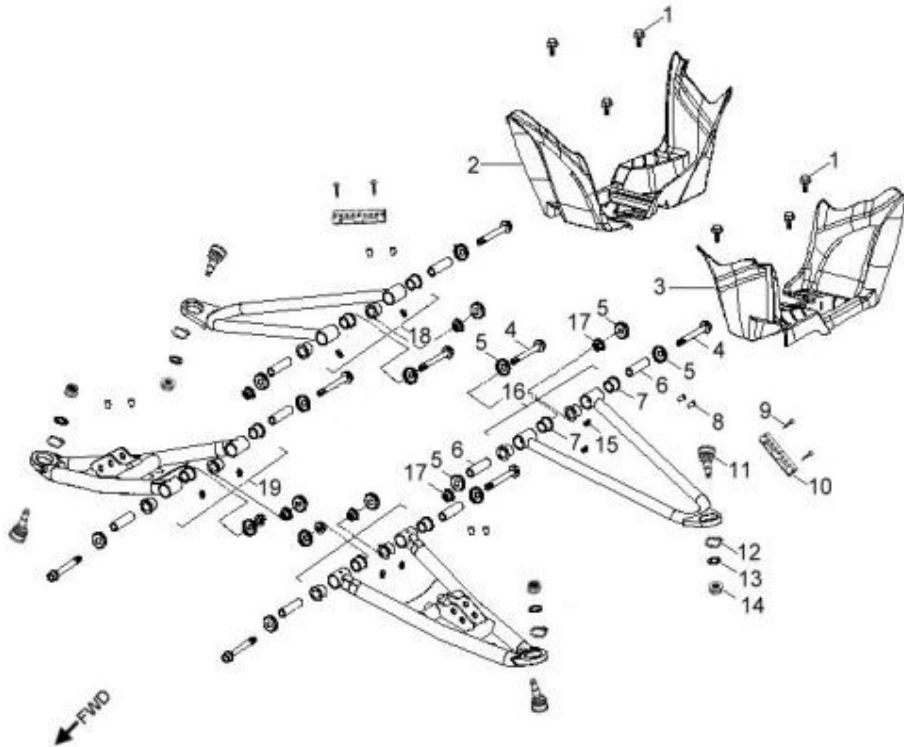


| ITEM | DESCRIPTION | P/N | Q"TY | Note |
|------|-----------------------------|-------------------|------|--------------|
| 1 | Seal, Oil | 96500-426208A7271 | 1 | 42* φ 62*t0. |
| 2 | Bearing, Ball | 96100-60070-LLU00 | 2 | |
| 3 | Tube, Spacer | 42810221-000 | 1 | |
| 4 | Asm., Housing, Rear Axle | 42803217-001 | 1 | |
| 5 | Seal, Oil | 96500-446208A7271 | 1 | 44* φ 62*t0. |
| 6 | Protector, Chain | 40521206-000 | 1 | |
| 7 | Bolt | 96007-060168-00K | 9 | 1.0*16L W/W: |
| 8 | Bolt | 96000-100658-OKL | 4 | M10*P1.25*65 |
| 9 | Cover, Sprocket | 40520210-000 | 1 | |
| 10 | Screw | 93903-1050128-00K | 4 | M5*12L |
| 11 | Chain Guider | 40525202-000 | 1 | |
| 12 | Bolt | 96007-060188-00K | 1 | 1.0*18L W/W: |
| 13 | Clip, Cir | 94511-7500S | 1 | |
| 14 | O-Ring | 93210-07531 | 1 | φ75*t3.1 |
| 15 | Mount, Caliper | 43510203-000 | 1 | |
| 16 | Shaft, Caliper Bracket | 43512201-000 | 1 | |
| 17 | Nut | 90355-10000-14C | 4 | |
| 18 | Retainer, Brake Line, Front | 53005301-000 | 1 | |
| 19 | Nut | 90355-14000-19C | 1 | |
| 20 | Cover, Swing Arm Seal | 52422202-000 | 2 | |
| 21 | Bushing, Sheave | 22106205-000 | 2 | |
| 22 | Arm, Swing | 5241062A-385 | 1 | |
| 23 | Chain Guider | 40525203-000 | 1 | |
| 24 | Cap, Valve, Grease | 51301131-000 | 1 | |
| 25 | Valve, Grease | 51300131-000 | 1 | |
| 26 | Tube, Spacer | 52420201-000 | 1 | |
| 27 | Bolt | 96000-143508-00C | 1 | M14*P1.5*350 |

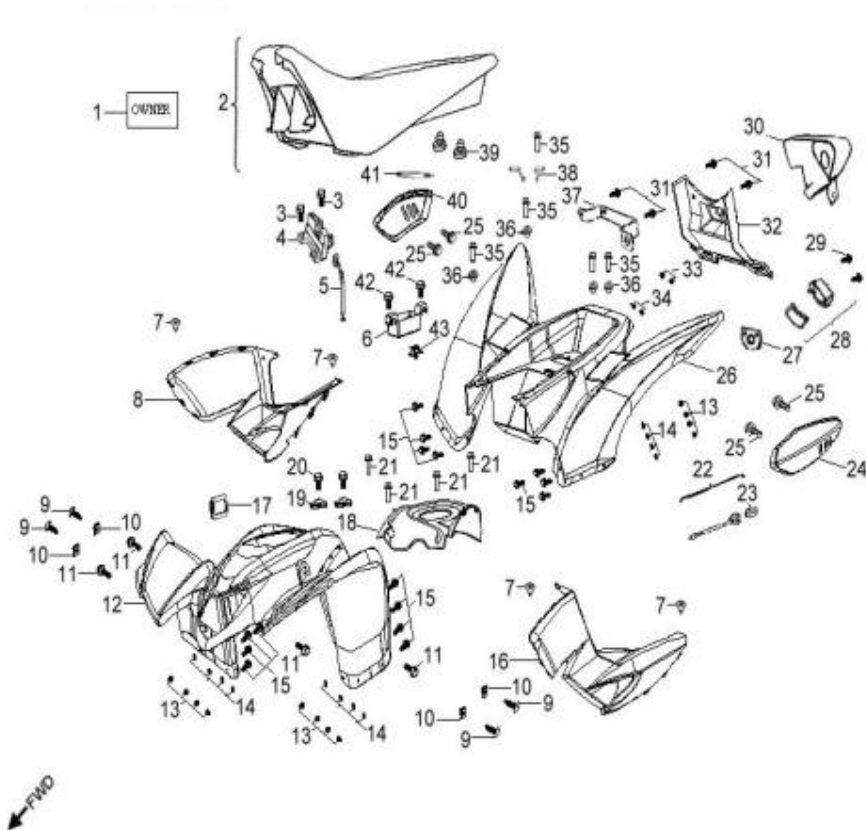
| ITEM | DESCRIPTION | P/N | Q"TY | Note |
|------|-----------------|------------------|------|--------------|
| 1 | Bolt | 92001-080128-00K | 2 | 1.25*12L W/W |
| 2 | Bracket, Bumper | 50450243-458 | 1 | |
| 3 | Bolt | 92005-060148-00K | 2 | 1.0*14L W/W |



D-20:SWING ARM,FOOTREST

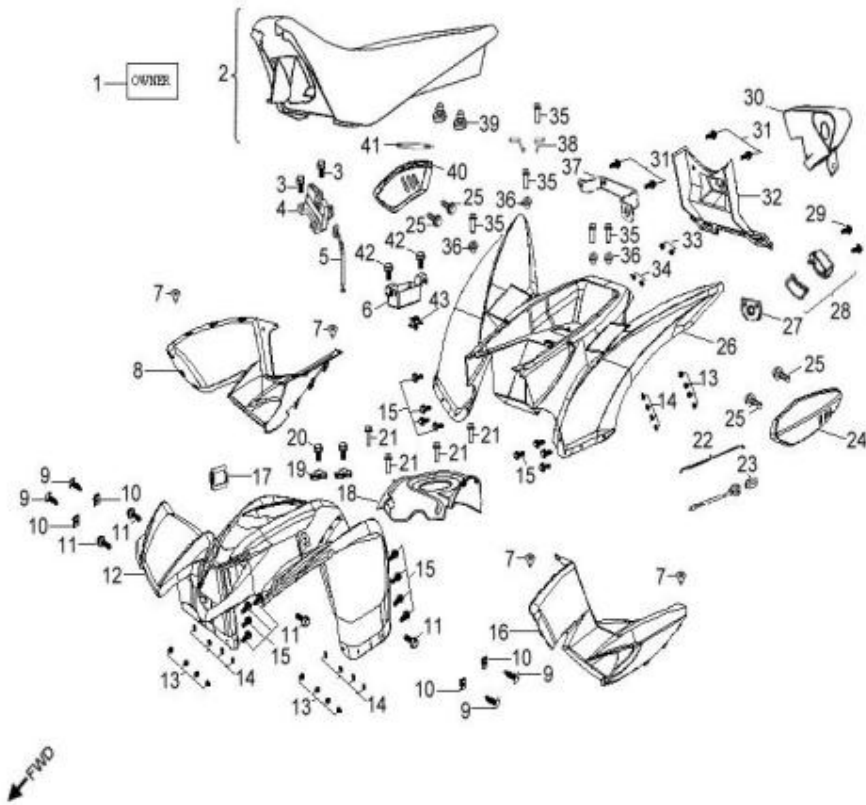


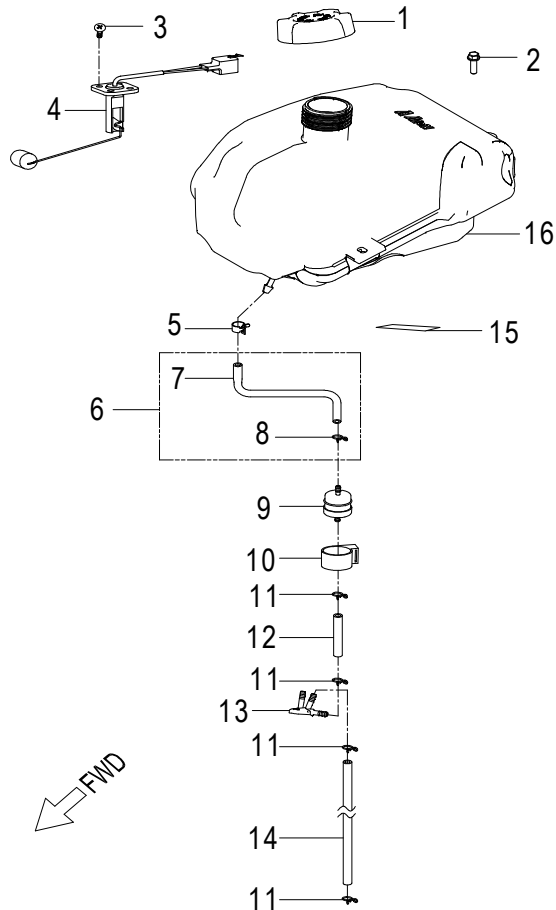
| ITEM | DESCRIPTION | P/N | Q"TY | Note |
|------|-----------------------------|-------------------|------|---------------|
| 1 | Bolt | 96007-060168-00K | 6 | P1.0*16L W/W: |
| 2 | Footwell, RH | 64300218-000 | 1 | |
| 3 | Footwell, LH | 64310218-000 | 1 | |
| 4 | Bolt | 96000-100658-0KL | 8 | M10*P1.25*65I |
| 5 | Cap, dustproof | 52426156-000 | 16 | |
| 6 | Spacer | 53140201-000 | 8 | |
| 7 | Bushing | 53135202-000 | 16 | |
| 8 | Cap, Valve, Grease | 51301131-000 | 8 | |
| 9 | Screw | 93903-1050128-00K | 4 | M5*12L |
| 10 | Retainer, Brake Line, Front | 53005203-000 | 2 | |
| 11 | Ball Joint | 52451204-000 | 4 | |
| 12 | Clip, Cir | 94511-3113S | 4 | |
| 13 | Washer | 94101-1225020-00C | 4 | 12.1*φ 25*t |
| 14 | Nut, Lock | 90351-12000-00C | 4 | M12*P1.25 |
| 15 | Valve, Grease | 51300131-000 | 8 | |
| 16 | A-Arm, Upper, Lh | 53132211-385 | 1 | |
| 17 | Nut | 94050-10000-00C | 8 | M10*P1.25 |
| 18 | A-Arm, Upper, Rh | 53032211-385 | 1 | |
| 19 | A-arm, Lower | 53050206-385 | 2 | |



| ITEM | DESCRIPTION | P/N | Q"TY | Note |
|------|------------------------|-------------------|------|-----------------|
| 1 | Manual, Owner's | 88510229-002 | 1 | |
| 2 | Seat | 77200291-070 | 1 | |
| 3 | Bolt | 96000-060148-10K | 2 | M6*P1.0*14L |
| 4 | Lock striker | 77231180-000 | 1 | |
| 5 | Cable, Lock | 77232205-000 | 1 | |
| 6 | Tool Box | 32111201-000 | 1 | |
| 7 | Rivet, Plastic | 61120153-000 | 4 | |
| 8 | Panel, Side, RH | 83500206-000 | 1 | |
| 9 | Screw | 93903-2040128-00K | 4 | M4*12L |
| 10 | U-Nut | 90345-04000-02T | 4 | M4*P0.6 |
| 11 | Bolt | 92003-060168-00K | 4 | P1.0*16L W/W: |
| 12 | Cab, Front | 61100218-116 | 1 | black |
| | | 61100218-133 | | white |
| 13 | Nut | 90350-05000-00K | 16 | M5*P0.8 |
| 14 | Washer | 94101-0514010-00K | 16 | 5.1* φ 14*t1 |
| 15 | Bolt | 93100-050168-00K | 16 | M5*P0.8*16L |
| 16 | Panel, Side, LH | 83600219-000 | 1 | |
| 17 | Boot, Shift, Rubber | 21322203-000 | 1 | |
| 18 | Cover, Fuel Tank | 17555201-000 | 1 | |
| 19 | U-Nut | 90344-06000-00C | 2 | M6*P1.0 |
| 20 | Bolt | 93800-060148-00K | 2 | P1.0*14L W/W: |
| 21 | Screw | 93903-1040128-00K | 4 | M4*12L |
| 22 | Asm., Power Supporter | 33713201-000 | 1 | Incl. 23 |
| 23 | Bulb, License Light | 33709131-000 | 1 | |
| 24 | Veneer, LH | 18316201-000 | 1 | |
| 25 | Screw | 93903-1050128-00K | 4 | M5*12L |
| 26 | Cab, Rear | 6100062E-116 | 1 | black |
| | | 6100062E-133 | | white |
| 27 | Rubber | 33707131-000 | 1 | |
| 28 | Cover, License Light | 33710131-000 | 1 | |
| 29 | Bolt | 93500-040408-00K | 2 | M4*P0.6*40L |
| 30 | Shield, Exhaust Ass'y | 18310202-000 | 1 | |
| 31 | Bolt | 96007-060168-00K | 4 | P1.0*16L W/W: |
| 32 | License Plate | 33708203-000 | 1 | |
| 33 | Washer | 94101-0412010-00K | 2 | φ4* φ 12*t1 |
| 34 | Nut | 90350-04000-00K | 2 | M4*P0.6 |
| 35 | Bolt | 96000-060168-10K | 5 | M6*P1.0*16L |
| 36 | Washer | 94150-0717075-00K | 4 | 6.5* φ 17.5*t7. |
| 37 | Bracket, License Plate | 33717202-000 | 1 | |
| 38 | Strap, Battery | 89751201-000 | 1 | |

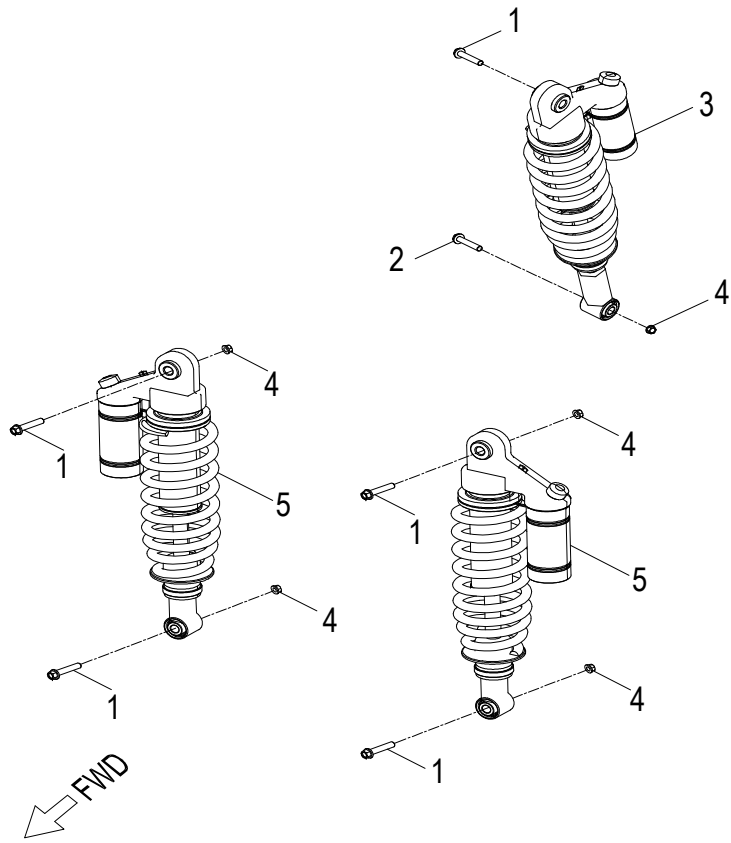
| ITEM | DESCRIPTION | P/N | Q"TY | Note |
|------|-----------------------|------------------|------|--------|
| 39 | Rubber, Seat | 77220180-000 | 2 | |
| 40 | Veneer, RH | 18319201-000 | 1 | |
| 41 | O-Ring | 93213-04740 | 1 | φ47*t4 |
| 42 | Screw | 93100-050108-00K | 2 | |
| 43 | Ground Cable, Battery | 89755202-000 | 1 | |





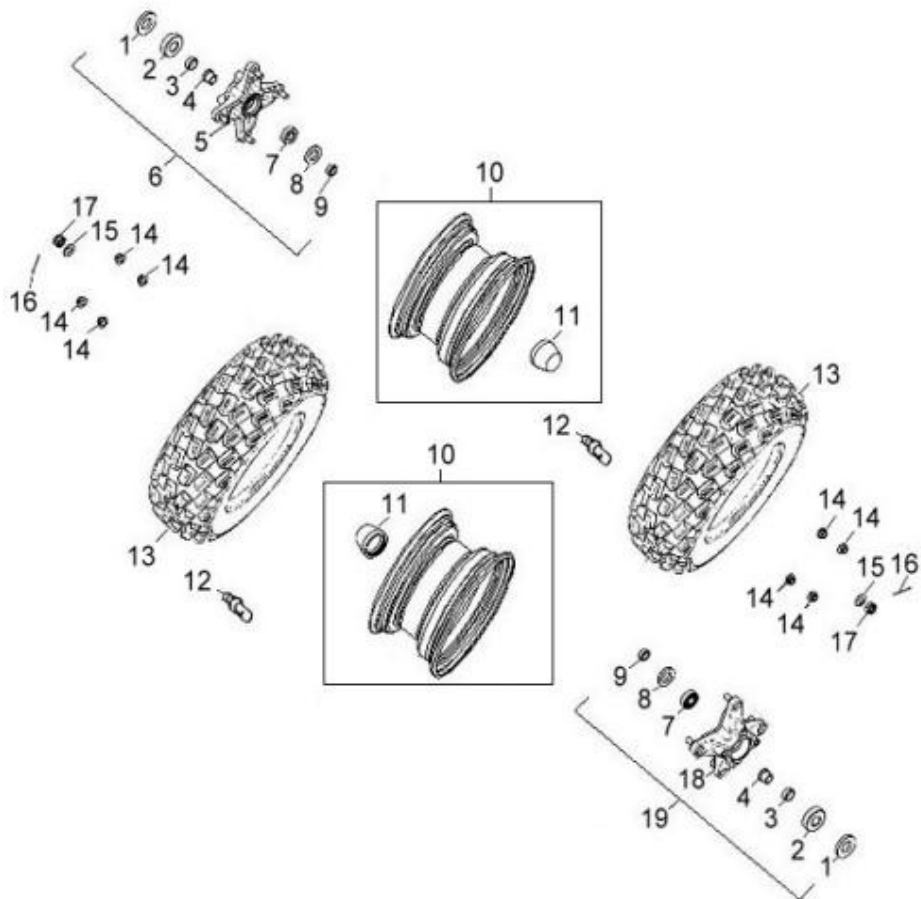
| ITEM | DESCRIPTION | P/N | Q"TY | Note |
|------|----------------------|------------------|------|--------------|
| 1 | Asm., Cap, Fuel Tank | 17620202-000 | 1 | Incl. 1 |
| 2 | Bolt | 92005-060168-00K | 2 | 1.0*16L W/W: |
| 3 | Bolt | 93100-050168-00K | 4 | M5*P0.8*16L |
| 4 | Sensor, Fuel | 37800202-000 | 1 | |
| 5 | Clamp | 94515-10008 | 1 | |
| 6 | Asm., Hose, Fuel | 94410-05009-059 | 1 | |
| 7 | Fuel Hose, Discharge | 17532229-000 | 1 | |
| 8 | Clip | 94510-08008 | 1 | |
| 9 | Filter, Fuel | 17952111-000 | 1 | |
| 10 | Clamp | 1795955E-000 | 1 | |
| 11 | Clamp | 94510-08000 | 4 | |
| 12 | Fuel hose | 94401-05009-040 | 1 | |
| 13 | Valve, Fuel | 17950111-000 | 1 | |
| 14 | Fuel hose | 94401-05009-205 | 1 | |
| 15 | Decal, Insulation | 87011224-000 | 1 | |
| 16 | Asm., Tank, Fuel | 1750062E-001 | 1 | |

| ITEM | DESCRIPTION | P/N | Q"TY | Note |
|------|-------------------------|------------------|------|--------------|
| 1 | Bolt | 96000-100508-OKL | 5 | M10*P1.25*50 |
| 2 | Bolt | 96000-100608-OKL | 1 | M10*P1.25*60 |
| 3 | Asm., Suspension, Rear | 52400246-293 | 1 | |
| 4 | Nut | 94050-10000-00C | 5 | M10*P1.25 |
| 5 | Asm., Suspension, Front | 51100248-293 | 2 | |



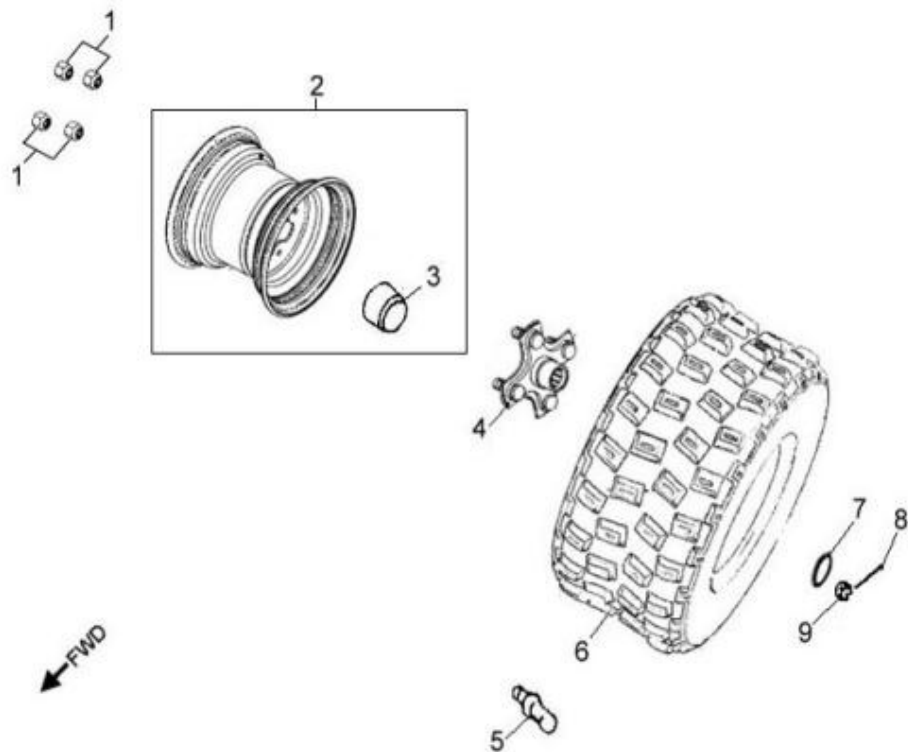
D-24:FRONT WHEEL

| ITEM | DESCRIPTION | P/N | Note |
|------|-------------------|-------------------|---------------|
| 1 | Seal, Oil | 96500-25470700000 | 25* φ 47*t0.7 |
| 2 | Bearing, Ball | 96100-62040-Z0000 | |
| 3 | Spacer | 4431139A-000 | |
| 4 | Spacer | 4431539A-000 | |
| 5 | Hub, Wheel, Front | 42010204-000 | |
| 6 | Asm., Hub, Rh | 42721206-000 | |
| 7 | Bearing, Ball | 0490005-000 | |
| 8 | Seal, Oil | 96500-223806A7271 | ψ22* φ 38*6 |
| 9 | Spacer | 4431239A-000 | |
| 10 | Front Rim | 42702209-000 | |
| 11 | Dust Cover, Hub | 42717206-000 | |
| 12 | Valve, Rim | 42616131-000 | |
| 13 | Tire | 42711259-000 | |
| 14 | Nut | 95112-10000-14B | |
| 15 | Washer | 94121-1426016-000 | 14* φ 26*t1.6 |
| 16 | Pin, Cotter | 94201-32320 | |
| 17 | Shaft, Prob | 90353-14015-00C | |
| 18 | Hub, Wheel, Front | 4201039A-000 | |
| 19 | Asm., Hub, Lh | 42710206-000 | |

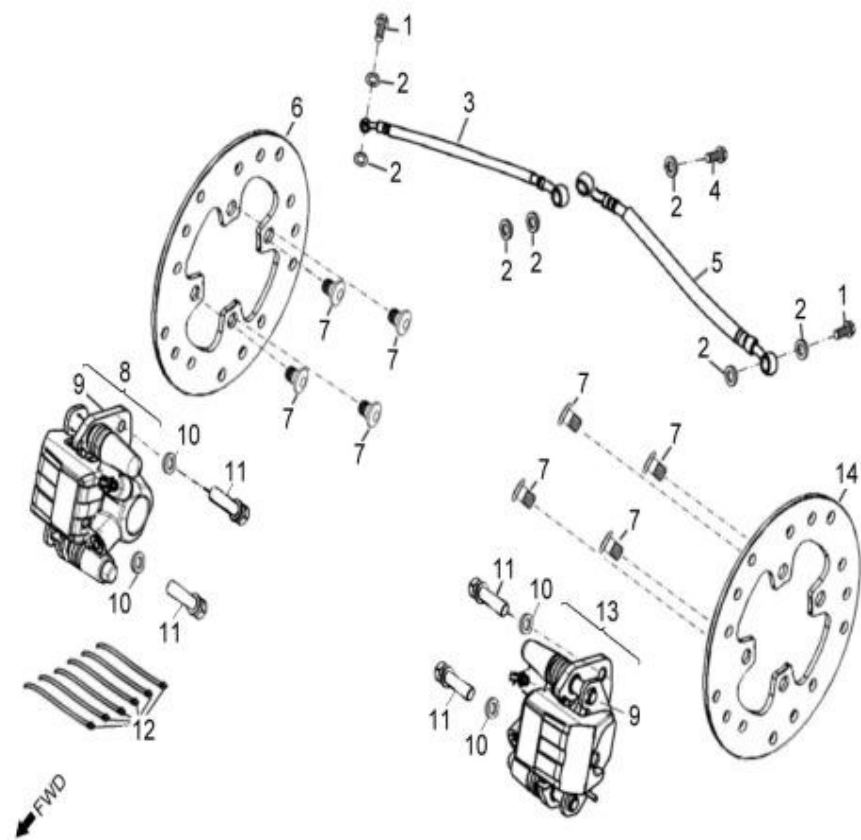


D-25:REAR WHEEL

| ITEM | DESCRIPTION | P/N | Note |
|------|--------------------|-------------------|------------|
| 1 | Nut | 95112-10000-14B | |
| 2 | Rear Rim(Aluminum) | 42802209-000 | |
| 3 | Dust Cover, Hub | 42717207-000 | |
| 4 | Hub, Wheel, RH | 4202039A-000 | |
| 5 | Valve, Rim | 42616131-000 | |
| 6 | Tire | 42811254-000 | |
| 7 | Washer | 94121-1835200-000 | φ18*φ35*t2 |
| 8 | Pin, Cotter | 94201-32320 | |
| 9 | Shaft, Prob | 90353-18000-00C | |

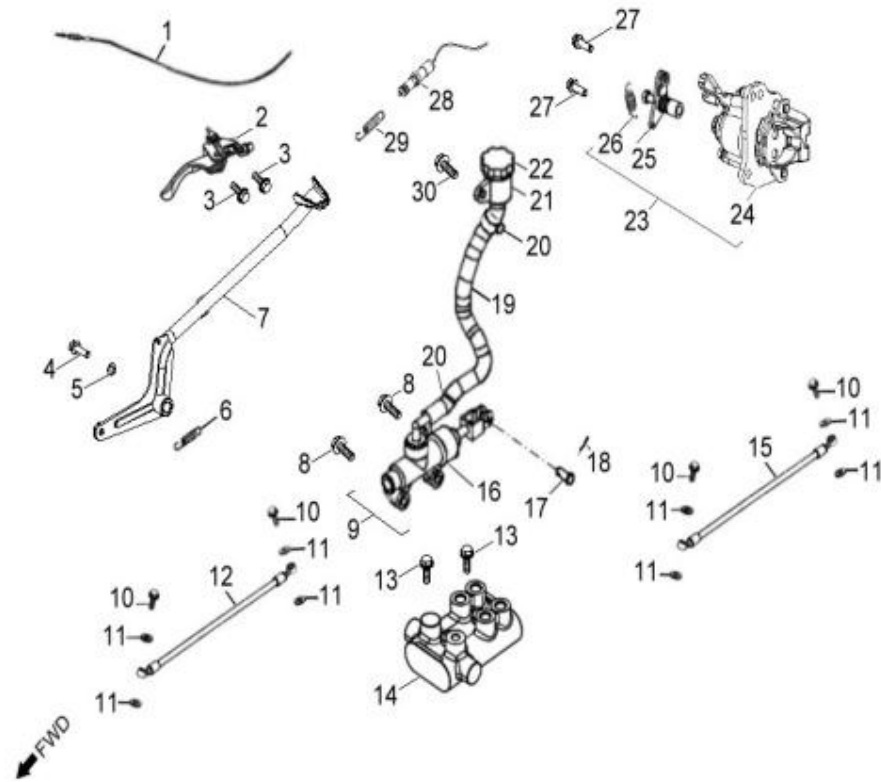


D-26:FRONT BRAKE



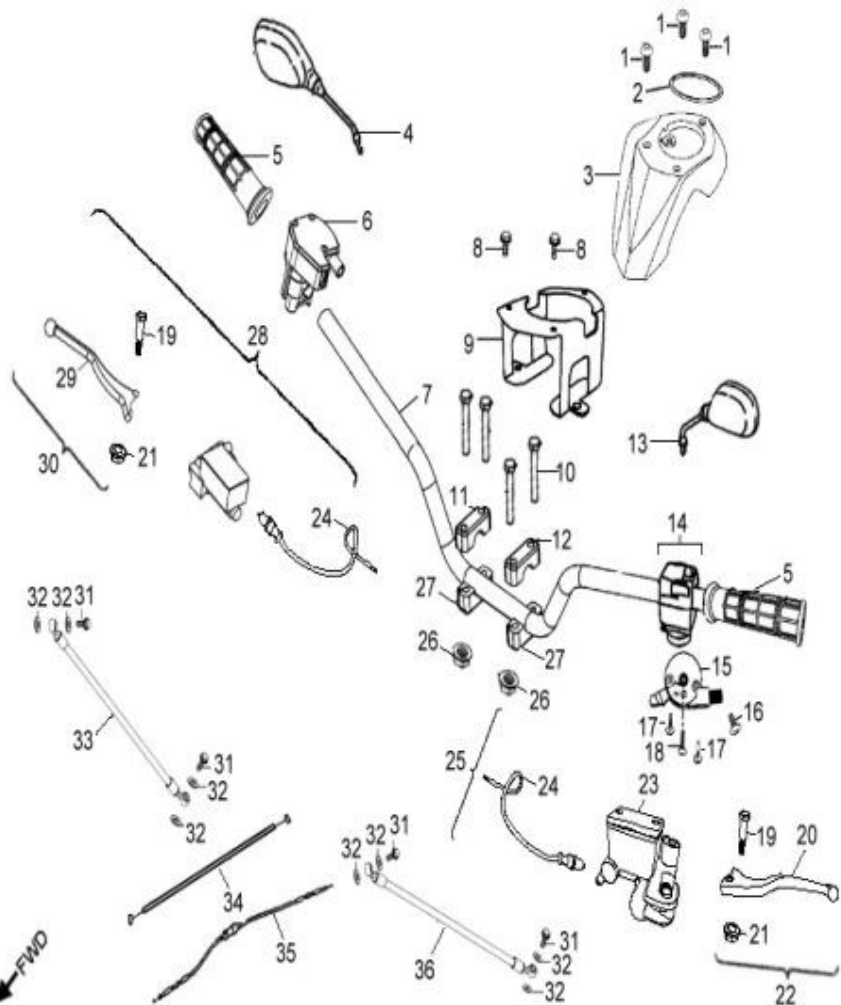
| ITEM | DESCRIPTION | P/N | Q"TY | Note |
|------|----------------------|-------------------|------|--------------|
| 1 | Bolt, Banjo | 45456206-000 | 2 | |
| 2 | Washer | 94101-1015012-U0B | 7 | 0.1*φ 15*t1 |
| 3 | Hose, Brake | 45447228-000 | 1 | |
| 4 | Bolt, Banjo | 45456202-000 | 1 | |
| 5 | Hose, Brake | 45447229-000 | 1 | |
| 6 | Disc, Brake, RH | 4502339A-000 | 1 | |
| 7 | Bolt | 45016131-00K | 8 | |
| 8 | Asm., Caliper, RH | 45002206-000 | 1 | |
| 9 | Pads, Caliper, Front | 43121202-000 | 2 | |
| 10 | Washer | 94101-0816020-00C | 4 | φ8*φ 16*t2 |
| 11 | Screw | 96002-080308-00K | 4 | M8*P1.25*30L |
| 12 | Strap | 89569131-000 | 6 | ALT-200M-B |
| 13 | Asm., Caliper, LH | 45001206-000 | 1 | |
| 14 | Disc, Brake, LH | 4502239A-000 | 1 | |

D-27:REAR BRAKE



| ITEM | DESCRIPTION | P/N | Q"TY | Note |
|------|-----------------------|-------------------|------|---------------|
| 1 | Cable, Parking Brake | 38706206-001 | 1 | |
| 2 | Lever, Parking Brake | 3871055E-000 | 1 | |
| 3 | Bolt | 91000-060208-00K | 2 | |
| 4 | Bolt | 96000-080168-OKL | 1 | M8*P1.25*16L |
| 5 | Washer | 94101-0822020-00C | 1 | φ8* φ 22*t2 |
| 6 | Spring | 43421206-000 | 1 | |
| 7 | Pedal, Brake | 43456214-000 | 1 | |
| 8 | Bolt | 92001-080258-OKL | 2 | M8*P1.25*25L |
| 9 | Asm., Master Cylinder | 4350055E-000 | 1 | |
| 10 | Bolt, Banjo | 45456111-000 | 4 | |
| 11 | Washer | 94101-1015012-U0B | 8 | 0.1* φ 15*t1 |
| 12 | Hose, Brake | 45447230-000 | 1 | |
| 13 | Bolt | 91000-080408-00C | 2 | M8*P1.25*40L |
| 14 | Brake Shunt | 45470201-000 | 1 | |
| 15 | Hose, Brake | 45447231-000 | 1 | |
| 16 | Master Cylinder | 4350155E-000 | 1 | |
| 17 | Pin | 94302-07018 | 1 | |
| 18 | Pin | 43480201-000 | 1 | |
| 19 | Hose, Brake | 45447210-000 | 1 | |
| 20 | Clamp | 94515-12008 | 2 | 12*8 |
| 21 | Oil Tank, Brake | 43503204-000 | 1 | |
| 22 | Cap, Oil Tank | 43016201-000 | 1 | |
| 23 | Asm., Caliper, Rear | 45000209-000 | 1 | |
| 24 | Pad, brake, Rear | 43120212-000 | 1 | |
| 25 | Swing Arm, Caliper | 43532203-000 | 1 | |
| 26 | Spring | 43421209-000 | 1 | |
| 27 | Bolt | 96000-100258-OKL | 2 | M10*P1.25*25L |
| 28 | Switch, Brake | 34916201-000 | 1 | |
| 29 | Spring, Switch | 43422202-000 | 1 | |
| 30 | Bolt | 96000-060128-OKL | 1 | M6*P1.0*12L |

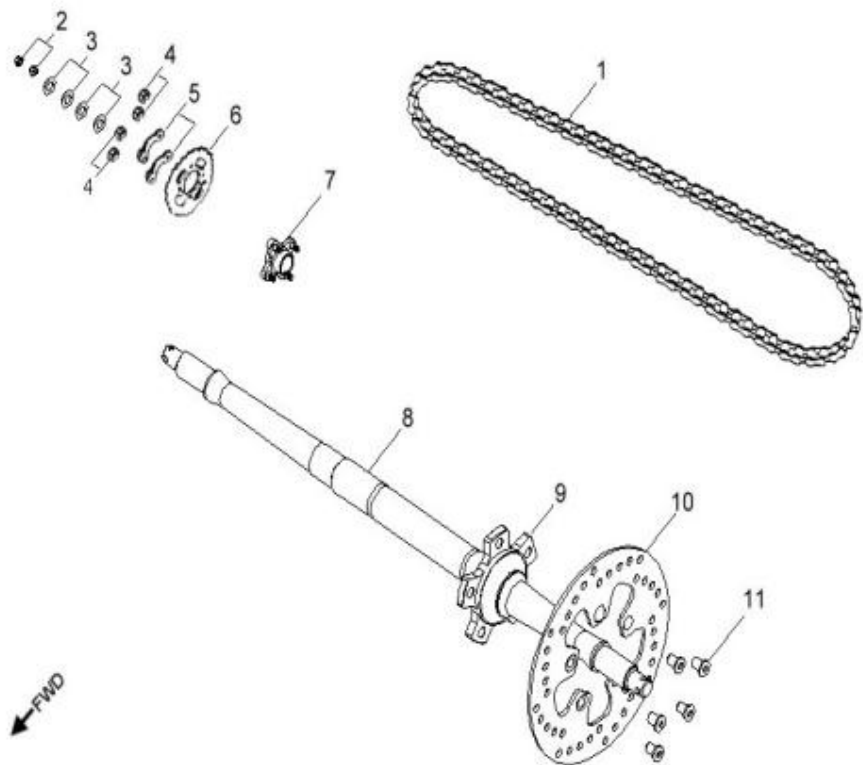
D-28:HANDLEBAR

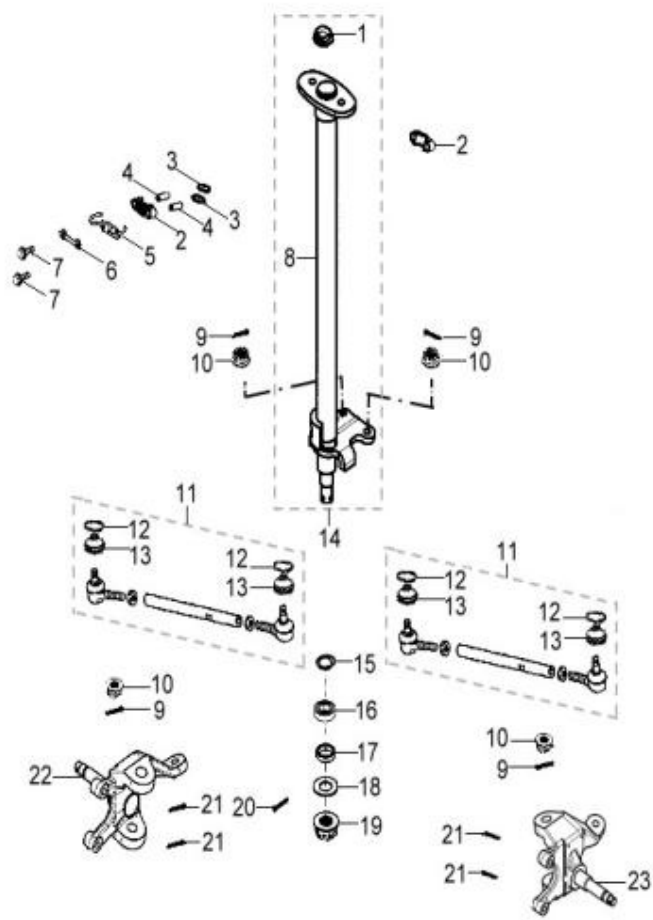


| ITEM | DESCRIPTION | P/N | Q"TY | Note |
|------|-----------------------|-------------------|------|------------------|
| 1 | Bolt | 93100-050128-00K | 3 | M5*P0.8*12L |
| 2 | Rubber, Seat | 64320201-000 | 1 | |
| 3 | Pod, Handlebar | 64211210-070 | 1 | |
| 4 | Mirror, RH | 88110204-000 | 1 | |
| 5 | Grip, Handlebar | 53167201-000 | 2 | |
| 6 | Control, Throttle | 5390055E-000 | 1 | |
| 7 | Handlebar | 53100218-385 | 1 | |
| 8 | Bolt | 96000-060128-10K | 2 | M6*P1.0*12L |
| 9 | Bracket, Pod | 53310221-000 | 1 | |
| 10 | Bolt | 91000-080258-00K | 4 | M8*P1.25*25L |
| 11 | Clamp, Upper, RH | 53220204-000 | 1 | |
| 12 | Clamp, Upper, LH | 53210204-000 | 1 | |
| 13 | Mirror, LH | 88120201-001 | 1 | Incl. 14~18 |
| 14 | Asm., Switch, LH | 35151227-001 | 1 | Incl. 15~18 |
| 15 | Asm., Manual Choke | 35160201-000 | 1 | |
| 16 | Bolt | 93500-030068-00C | 1 | M3*P0.6*6L |
| 17 | Screw | 93100-030048-00B | 2 | M3*P0.6*4L |
| 18 | Bolt | 93500-060088-00K | 1 | M6*P1.0*8L |
| 19 | Bolt | 89220202-000 | 2 | |
| 20 | Lever, Brake, LH | 53178206-000 | 1 | |
| 21 | Nut | 94073-06006-00K | 2 | |
| 22 | Asm., Lever, LH | 53163206-000 | 1 | Incl. 19~21 |
| 23 | Master Cylinder, Left | 53185219-000 | 1 | |
| 24 | Sensor, Taillight | 35345201-000 | 2 | |
| 25 | Asm., Lever LH | 53171219-000 | 1 | |
| 26 | Nut | 90350-10000-00C | 2 | M10*P1.25 |
| 27 | Clamp, Lower | 53200204-000 | 2 | |
| 28 | Asm., Lever, RH | 53172215-000 | 1 | |
| 29 | Lever, Brake, RH | 53175205-000 | 1 | |
| 30 | Asm., Lever, RH | 53164205-000 | 1 | Incl. 19, 21, 30 |
| 31 | Bolt, Banjo | 45456111-000 | 4 | |
| 32 | Washer | 94101-1015012-U0B | 8 | 0.1*φ 15*t1 |
| 33 | Hose, Brake | 45447233-000 | 1 | |
| 34 | Choke, Cable, Manual | 53922213-000 | 1 | |
| 35 | Cable, Throttle | 53910222-002 | 1 | |
| 36 | Hose, Brake | 45447232-000 | 1 | |

D-29:REAR WHEEL AXLE

| ITEM | DESCRIPTION | P/N | Q"TY | Note |
|------|-----------------------------|-------------------|------|--------------|
| 1 | Asm., Drive Chain | 40530218-000 | 1 | |
| 2 | Nut | 94001-33000-46K | 2 | |
| 3 | Washer | 94121-3345012-000 | 4 | 33* φ 45*t1. |
| 4 | Nut | 94002-10000-00C | 4 | M10*P1.25 |
| 5 | Washer, Sprocket | 41202156-000 | 2 | |
| 6 | Sprocket, Drive, Final(32T) | 41201156-000 | 1 | |
| 7 | Hub, Sprocket | 41210156-000 | 1 | |
| 8 | Axle | 42000228-000 | 1 | |
| 9 | Hub, Disc | 43490206-000 | 1 | |
| 10 | Disc, Brake | 43511202-000 | 1 | |
| 11 | Bolt | 45016131-00K | 5 | |



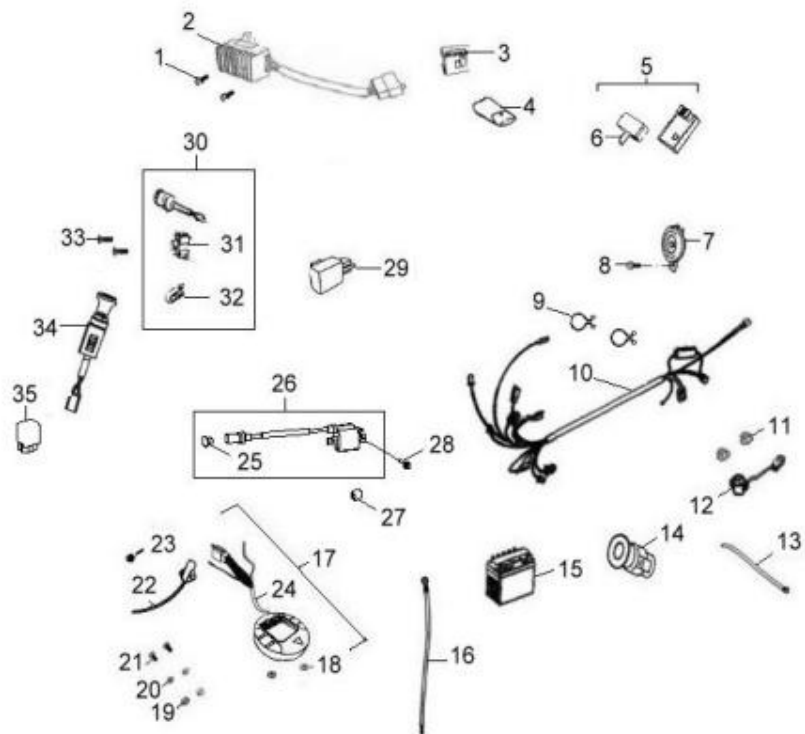


| ITEM | DESCRIPTION | P/N | Q"TY | Note |
|------|----------------------------|-------------------|------|--------------|
| 1 | Cap, Rubber | 19611202-000 | 1 | |
| 2 | Clamp, steering | 53500156-000 | 2 | |
| 3 | Sleeve, Steering Shaft | 51220156-000 | 2 | |
| 4 | Spacer | 51317156-000 | 2 | |
| 5 | Bracket, Wire Collector | 51318156-000 | 1 | |
| 6 | Washer, Lock | 51319156-000 | 1 | |
| 7 | Bolt | 92000-080608-00B | 2 | M8*P1.25*60L |
| 8 | Shaft, Steering | 51112222-385 | 1 | |
| 9 | Pin, Cotter | 94201-25190 | 4 | |
| 10 | Nut | 90352-10000-00C | 4 | M10*P1.25 |
| 11 | Asm., Tie Rod | 53410220-000 | 2 | |
| 12 | Clamp | 94514-09255 | 4 | |
| 13 | Boot | 16129201-000 | 4 | |
| 14 | Shaft, Steering | 51107222-385 | 1 | |
| 15 | Clip, Cir | 94512-4200R | 1 | |
| 16 | Bearing, Ball | 0490004-000 | 1 | |
| 17 | Spacer | 44311201-000 | 1 | |
| 18 | Washer | 94121-1835200-000 | 1 | p18* φ 35*t2 |
| 19 | Shaft, Prob | 90353-18000-00C | 1 | |
| 20 | Pin, Cotter | 94201-32320 | 1 | |
| 21 | Pin, Cotter | 94201-23250 | 4 | |
| 22 | Asm., Steering Knuckle, RH | 51330210-000 | 1 | |
| 23 | Asm., Steering Knuckle, LH | 51325209-000 | 1 | |

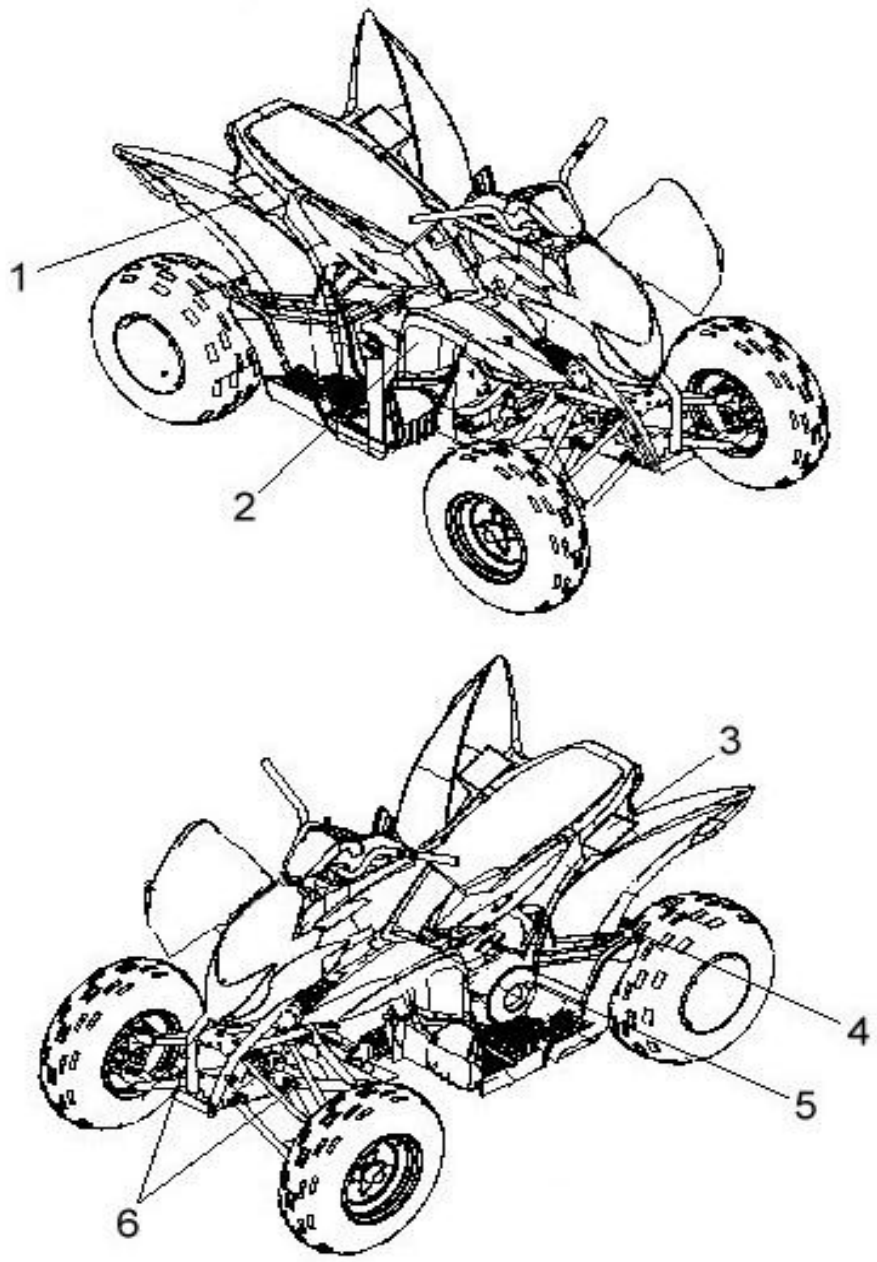
D-31:LIGHTS

| ITEM | DESCRIPTION | P/N | Q"TY | Note |
|------|---------------------------|-------------------|------|---------------|
| 1 | Asm., Taillight | 33700202-000 | 1 | |
| 2 | Washer | 94101-0519010-00K | 4 | 5.1*φ 19*t1 |
| 3 | Nut | 94050-05000-00C | 4 | M5*P0.8 |
| 4 | Washer | 94101-0412010-00K | 2 | φ4*φ 12*t1 |
| 5 | Bracket, Reflector | 33408202-000 | 2 | |
| 6 | Reflector | 33741131-000 | 2 | |
| 7 | Screw, Tapping | 93906-1040168-00K | 2 | |
| 8 | Bolt | 93100-050128-00K | 6 | M5*P0.8*12L |
| 9 | Bracket, Signal, Rear | 33406201-000 | 2 | |
| 10 | Asm., Signal, Rear, LH | 33850206-000 | 1 | |
| 11 | Bulb, Signal | 33905202-000 | 4 | 10W |
| 12 | Boot | 51200203-000 | 2 | |
| 13 | Asm., Signal, Front, LH | 33450208-000 | 1 | Incl. 18 & 20 |
| 14 | Bracket, Front Signal, LH | 33416204-000 | 1 | |
| 15 | Screw, Tapping | 93906-1040128-00K | 8 | |
| 16 | Housing, Headlight | 33110205-000 | 1 | |
| 17 | Bulb, Headlight | 34901205-000 | 1 | 35W |
| 18 | Bulb, Parking | 34909180-000 | 1 | 5W |
| 19 | Socket, Headlight | 33111204-000 | 1 | |
| 20 | Asm., Headlight | 33100209-000 | 1 | Incl. 23~26 |
| 21 | Asm., Signal, Rear, RH | 33800206-000 | 1 | |
| 22 | Bracket, Front Signal, RH | 33415204-000 | 1 | |
| 23 | Asm., Signal, Front, RH | 33400208-000 | 1 | Incl. 18 & 20 |





| ITEM | DESCRIPTION | P/N | Q"TY | Note |
|------|-----------------------|-------------------|------|--------------|
| 1 | Bolt | 96000-060128-10K | 2 | M6*P1.0*12L |
| 2 | Rectifier/ Regulator | 31600215-000 | 1 | |
| 3 | Fuse Box | 32109205-000 | 1 | |
| 4 | Pouch, Tool | 89120215-000 | 1 | |
| 5 | Asm., CDI Unit | 30410246-000 | 1 | |
| 6 | Pad, Rubber | 30411206-000 | 1 | |
| 7 | Horn | 38110204-000 | 1 | |
| 8 | Bolt | 96000-080128-0KL | 1 | M8*P1.25*12L |
| 9 | Cable | 89755204-000 | 2 | |
| 10 | Harness, Main Wire | 32100274-002 | 1 | |
| 11 | Nut | 94050-06000-00K | 2 | M6*P1.0 |
| 12 | Starter Relay | 38501205-000 | 1 | |
| 13 | Strap | 89569131-000 | 39 | ALT-200M-B |
| 14 | Relay, Signal | 38302202-000 | 1 | |
| 15 | Battery | 3150039A-000 | 1 | 12AH |
| 16 | Asm., Battery Cable | 32001211-000 | 1 | |
| 17 | Asm., Speedometer | 37200218-000 | 1 | |
| 18 | Washer | 94101-0613010-00B | 2 | |
| 19 | Nut | 94001-06000-10B | 2 | |
| 20 | Washer, Spring | 94111-0412010-00B | 2 | |
| 21 | Bolt | 93500-040128-00B | 2 | |
| 22 | Sensor, Speedometer | 37206201-000 | 1 | |
| 23 | Magnet, Speedometer | 37203206-000 | 1 | |
| 24 | Speedometer | 37205209-000 | 1 | |
| 25 | Insulator Coil | 3060550T-000 | 1 | |
| 26 | Asm., Ignition Coil | 30510212-000 | 1 | |
| 27 | Rubber, Ignition Coil | 3070450T-000 | 1 | |
| 28 | Bolt | 96000-060208-10K | 2 | M6*P1.0*20L |
| 29 | Relay, Parking | 38701202-000 | 1 | |
| 30 | Asm., Main Switch | 35100252-000 | 1 | |
| 31 | Lock, Steering | 35106208-000 | 1 | |
| 32 | Clip, Main Switch | 35101131-000 | 1 | |
| 33 | Bolt | 93100-050128-00K | 2 | M5*P0.8*12L |
| 34 | Power Supplier | 38130179-000 | 1 | |
| 35 | Relay, Thermo Switch | 5042951T-000 | 1 | |



| Item | Description | Part number | Q.ty | Note |
|------|-------------------------|--------------|------|------|
| 1 | Decal, Waring, Y-16 | 87851173-000 | 1 | |
| 2 | Decal , Waring, Reverse | 87854202-000 | 1 | |
| 3 | Decal, General Waring | 87852159-000 | 1 | |
| 4 | Decal, Waring, Chain | 87858156-000 | 1 | |
| 5 | Decal-"drain bolt" | 87843201-000 | 1 | |
| 6 | Decal, AEON, Logo | 87711262-S87 | 3 | |
| - | Whole Kit, Racing Decal | 99700210-000 | 1 | |