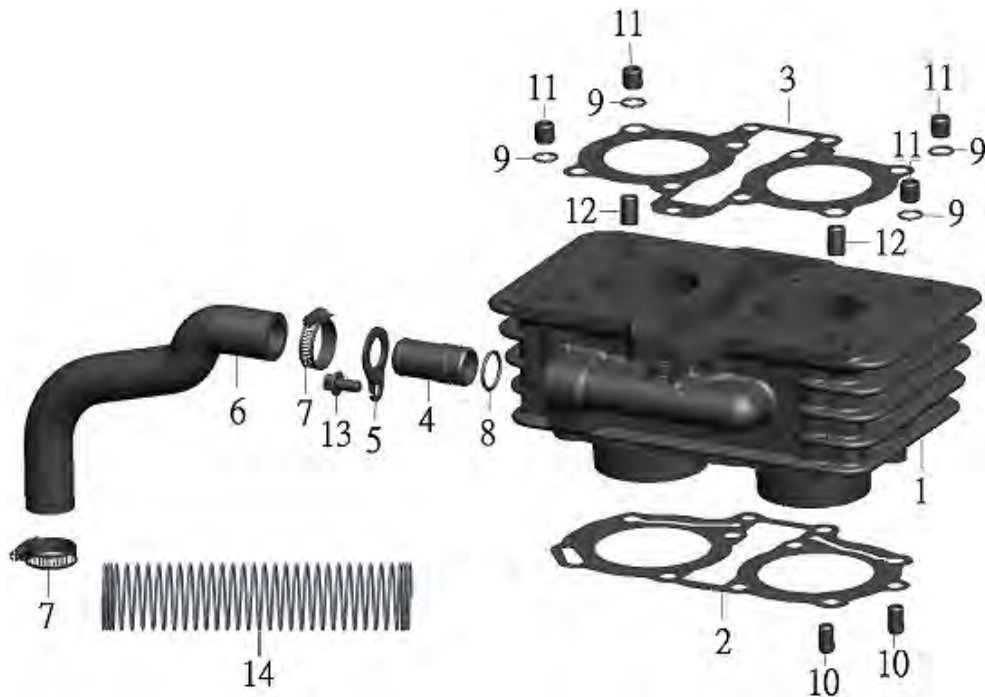
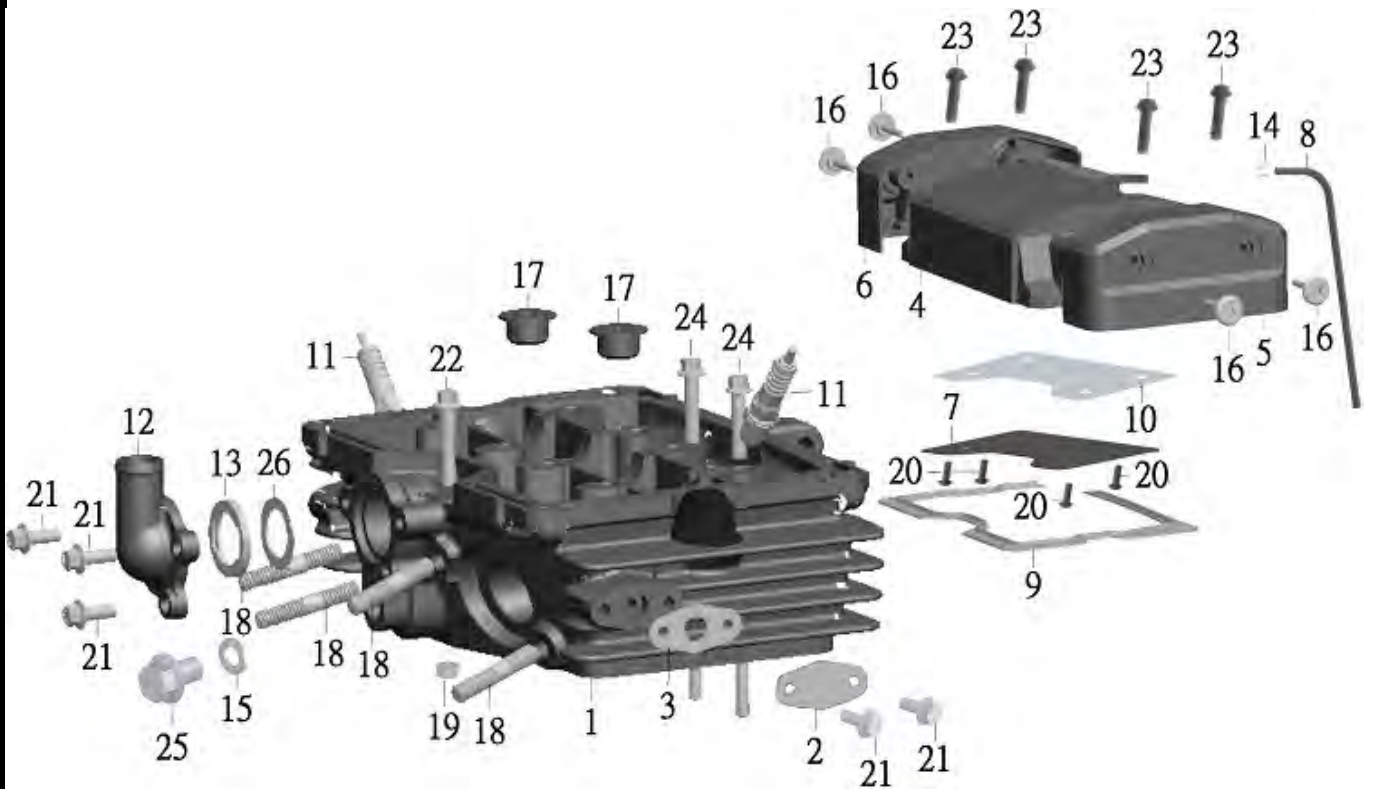


CYLINDER 汽缸



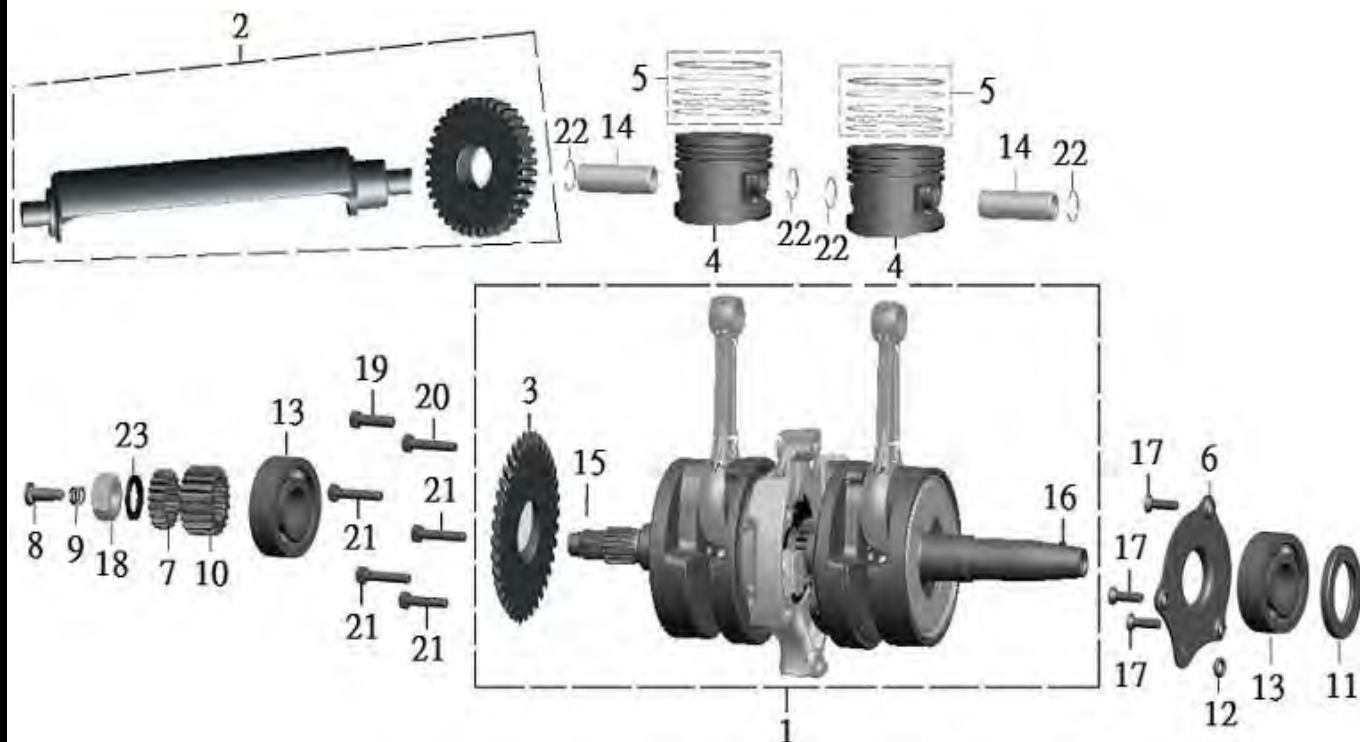
NO. 項目	PARTS NO. 零件號碼	PARTS NAME 零件名稱		Q'TY 用量	NOTE 備註
1	11111-CEE-00	CYLINDER COMP	汽缸	1	
2	11151-CEE-00	GASKET, CYLINDER Ø62	汽缸墊片	1	
3	11181-CEE-00	GASKET, CYLINDER HEAD Ø57.5	汽缸頭墊片	1	
4	13085-CEE-00	HOSE CONNECTOR	水管接頭	1	
5	13087-CEE-00	HOSE CONNECTOR SETTING PLATE	水管接頭壓板	1	
6	43426-CGE-00	HOSE, WATER PUMP EX	水泵出水管	1	
7	90280-080032	CLIP HC1 304SS	美式管夾	2	8*Ø16/Ø32
8	93210-20170	O-RING 2*17	護油圈	1	
9	9321V-16100	O-RING 1.6*10	護油圈	4	
10	94410-08014	PIN, DOWEL 8*14	定位銷	2	
11	94410-10010	PIN, DOWEL 10*10	定位銷	4	
12	94410-10016	PIN, DOWEL 10*16	定位銷	2	
13	96411-06012-R	BOLT, FLANGE 6*12	凸緣螺栓	1	
14	97501-1229215	HOSE SPRING	水泵出水管彈簧	1	

CYLINDER 汽缸頭



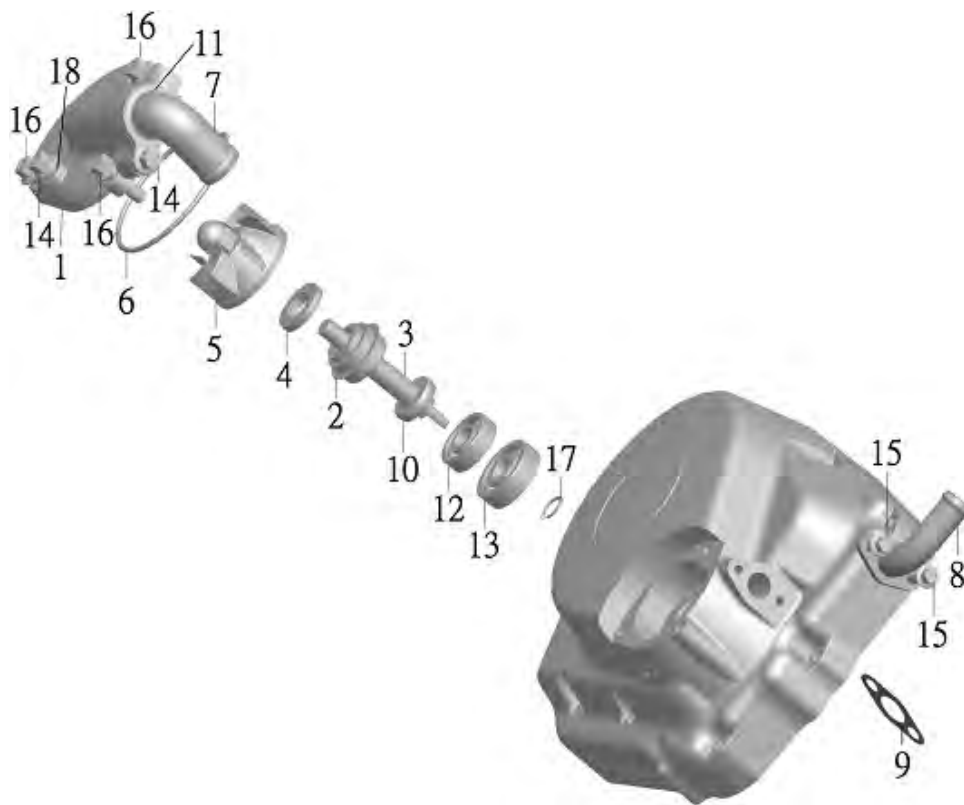
NO. 項目	PARTS NO. 零件號碼	PARTS NAME 零件名稱		Q'TY 用量	NOTE 備註
1	11121-CGE-00	HEAD COMP, CYLINDER	汽缸頭	1	
2	11126-CEE-00	COVER, AIR INJECTION	二次空氣蓋板	2	
3	11128-CEE-00	GASKET, PIPE AIR INJECTION	二次空氣導管墊片	2	
4	11141-CGE-00	COVER, CYLINDER HEAD	汽缸頭蓋	1	
5	11144-CGE-00L	AIR SEAL HEAD SIDE COVER L	汽缸頭蓋左飾蓋	1	
6	11144-CGE-00R	AIR SEAL HEAD SIDE COVER R	汽缸頭蓋右飾蓋	1	
7	11145-CGE-00	PLATE, VENTILATION	通風管導板	1	
8	11148-CER-00	PIPE, VENTILATED	缸蓋通氣管	1	
9	11191-CEE-00	GASKET, HEAD COVER	汽缸頭蓋墊圈	1	
10	11195-CGE-00	GASKET, VENTILATION PLATE	通風管導板墊片	1	
11	62210-GAT-00	PLUG, SPARK (CR7HSA)	火星塞	2	
12	62732-CGE-00	JOINT	缸蓋出水管接頭	1	
13	62733-CGE-00	GROMMET	節溫器密封圈	1	
14	90220-10148-K	CLIP 10*14.8	板型管夾	1	
15	93210-24098	O-RING 2.4*9.8	護油圈	1	
16	94706-06034-R	LINKED SCREW, AIR SEAL HEAD COVER	飾蓋螺栓	4	
17	94706-18012	BOLT 18*2	缸頭螺塞	2	
18	94717-08045-B	BOLT, STUD 8*45	雙頭螺絲	4	
19	95201-061005-B	NUT, HEXAGON	六角螺帽	1	
20	96411-06012-B	BOLT, FLANGE 6*12	凸緣螺栓	4	
21	96411-06016-R	BOLT, FLANGE 6*16	凸緣螺栓	7	
22	96411-06083-R	BOLT, FLANGE 6*83	凸緣螺栓	1	
23	96414-06030-B	BOLT, FLANGE	凸緣螺栓	4	
24	96414-06145-B	BOLT, FLANGE 6*145	凸緣螺栓	2	
25	96414-12015-B	BOLT, FLANGE 6*145	凸緣螺栓	1	
26	97201-153010-K	WASHER, PLATE	節溫器橡膠墊	1	

CRANKSHAFT, PISTON 曲軸、活塞



NO. 項目	PARTS NO. 零件號碼	PARTS NAME 零件名稱		Q'TY 用量	NOTE 備註
1	11400-CGE-00	CRANKSHAFT COMP	曲軸總成	1	
2	11500-CGE-00	BALANCER ASSY	平衡軸總成	1	
3	11561-CGE-00	GEAR, DRIVE 35T	平衡軸驅動齒輪	1	
4	11631-CEE-00	PISTON Ø57	活塞	2	
5	11636-CEE-00	RING SET, PISTON	活塞環組	2	
6	13136-CBT-00	OIL PLATE, BREATHER	機油泵分隔板	1	
7	13178-CEE-00	OIL PUMP DRIVING WHEEL 18T	機油泵驅動齒輪	1	
8	13321-CEE-00	THROUGH OIL	通油器	1	
9	13324-CEE-00	SPRING, OIL THROUGH	通油器彈簧	1	
10	25641-CEE-00	GEAR, PRIMARY DRIVE 19T	第一驅動齒輪	1	
11	9311V-35527	OIL SEAL TC 35*52*7	油封	1	
12	93210-30060	O-RING 3*6	護油圈	1	
13	93321-256217S	BALL BEARING TM-6305/P5CS16	滾珠軸承	2	
14	93510-101546	PIN, PISTON 10.1*15*45.5	活塞銷	2	
15	94510-20014	PIN, DOWEL 2*13.8	滾針	1	
16	94510-40004	PIN, DOWEL	滾針	1	
17	94712-06016-B	SCREW, FLAT HEAD 6*16	十字孔埋頭螺絲	3	
18	95201-162210-B	NUT, HEXAGON	六角螺帽	1	
19	96416-07019-B	BOLT, FLANGE	凸緣螺栓	1	
20	96416-08030-B	BOLT, FLANGE 8*P1*30	凸緣螺栓	1	
21	96416-08035-B	BOLT, FLANGE 8*P1*35	凸緣螺栓	4	
22	97050-10017	CIRCLE, PISTON PIN	活塞銷止動環	4	
23	97310-162420-K	WASHER, CONICAL SPRING	錐形彈簧墊圈	1	

WATER PUMP 水泵



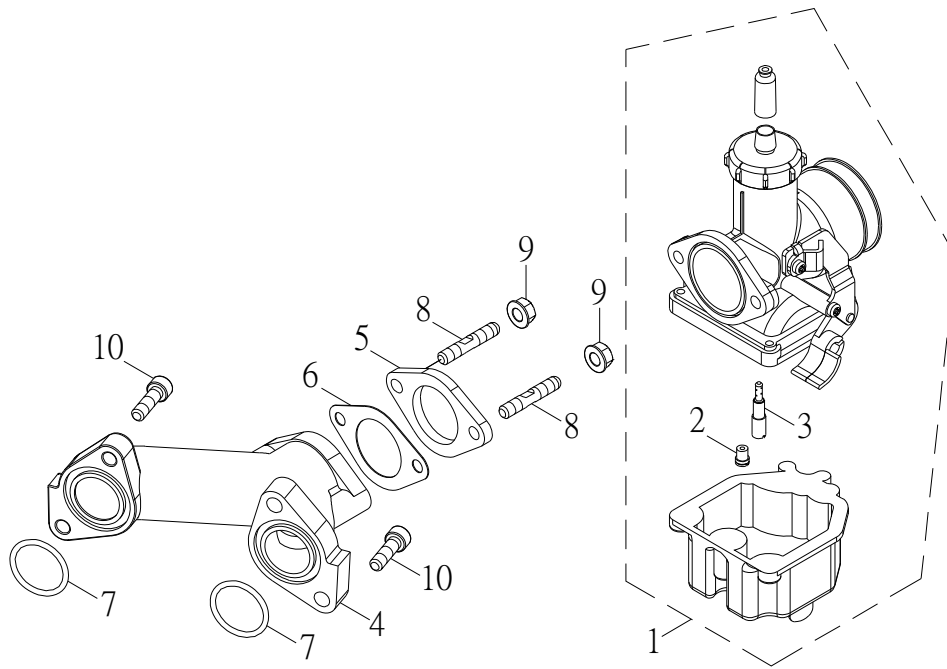
NO. 項目	PARTS NO. 零件號碼	PARTS NAME 零件名稱		Q'TY 用量	NOTE 備註
1	13012-CGE-00	WATER PUMP COVER	水泵蓋	1	
2	13018-CEE-00	WATER SEAL A	水封A	1	
3	13021-CGE-00	WATER PUMP SHAFT	水泵軸	1	
4	13023-CEE-00	WATER SEAL B	水封B	1	
5	13024-CEE-00	FAN	水泵葉輪	1	
6	13051-CGE-00	O-RING, PUMP COVER	水泵蓋密封圈	1	
7	13085-CGE-00	HOSE CONNECTOR	水泵進水管接頭	1	
8	13086-CGE-00	HOSE CONNECTOR	水泵出水管接頭	1	
9	13088-CGE-00	GASKET	水泵出水管墊片	1	
10	93110-10215	OIL SEAL 10*21*5	油封	1	
11	93210-20170	O-RING 2*17	護油圈	1	
12	93320-102608	BALL BEARING 6000	滾珠軸承	1	
13	93320-103009	BALL BEARING 6200CS05/2A	滾珠軸承	1	
14	96411-06012-R	BOLT, FLANGE	凸緣螺栓	2	
15	96411-06016-R	BOLT, FLANGE	凸緣螺栓	2	
16	96411-06020-R	BOLT, FLANGE	凸緣螺栓	3	
17	97011-08010-K	CIRCLIP	E形扣環	1	
18	97231-061115	WASHER, ALUMINUM 6.5*11*1.5	鋁墊圈	1	

OIL PUMP 機油泵



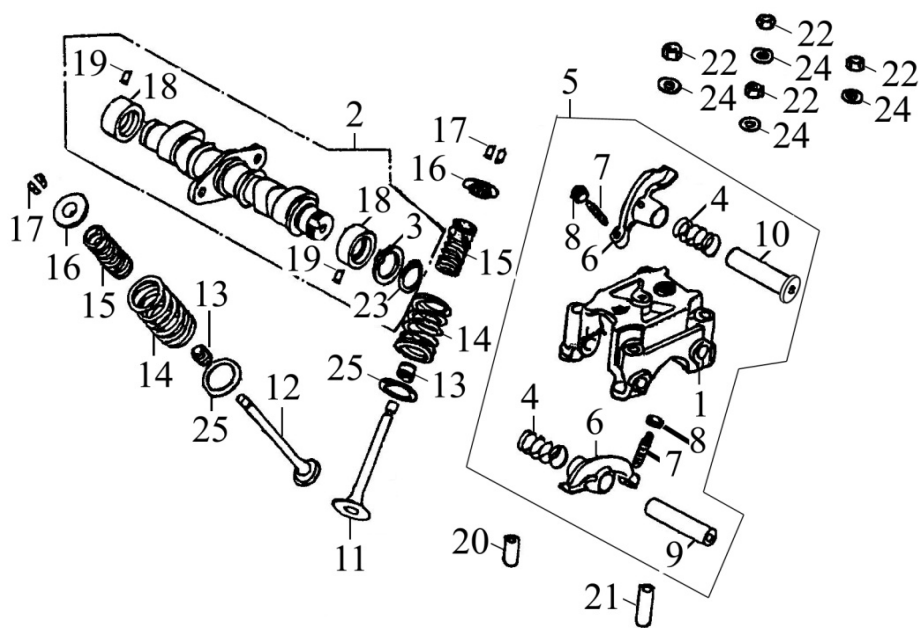
NO. 項目	PARTS NO. 零件號碼	PARTS NAME 零件名稱		Q'TY 用量	NOTE 備註
1	13100-CGE-00	PUMP ASSY, OIL	機油泵總成	1	
2	13124-CGE-00	GEAR, OIL PUMP 33T	機油泵齒輪	1	
3	13133-CGE-00	SETTING PLATE	機油泵壓板	1	
4	13134-CGE-00	O-RING	機油泵密封圈	1	
5	93210-30060	O-RING 3*6	護油圈	1	
6	93210-30080	O-RING 3*8	護油圈	1	
7	94712-06032-B	SCREW, FLAT HEAD 6*32	十字孔埋頭螺絲	3	
8	96210-05020-C	BOLT, HEXAGON 5*20	六角螺栓	2	
9	96318-05008	SCREW, PAN HEAD	十字孔頭螺絲	2	

CARBURETOR 化油器



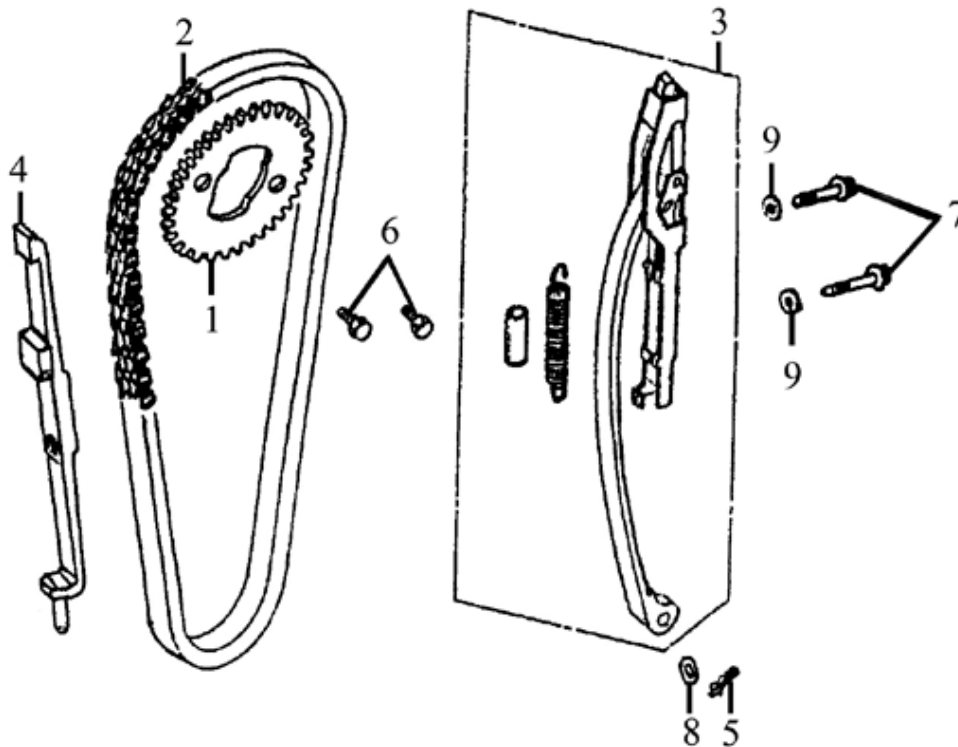
NO.	PARTS NO.	PARTS NAME	Q'TY	NOTE
項目	零件號碼	零件名稱	用量	備註
1	13201-CEE-00	CARBURETOR ASSY	1	化油器總成
2	13240-CEE-00	JET, MAIN #108	1	主噴口
3	13242-CHH-00	JET, GUIDE #38	1	引導噴口
4	13555-CBW-00	MANIFOLD, INTAKE	1	進氣歧管
5	13620-CHH-00	INSULATOR, CARBURETOR	1	化油器隔熱板
6	13621-CBT-00	GASKET, CARBURETOR INSULATOR	1	隔熱板墊片
7	93210-24262	O-RING 2.4*26.2	2	護油圈
8	94717-06037-B	BOLT, STUD 6*37	2	雙頭螺栓
9	95401-061006-B	NUT, FLANGE	2	凸緣螺帽
10	96510-06020-G	BOLT, SOCKET	4	六角承窩螺栓

CAMSHAFT, VALVE 凸輪軸、閥門



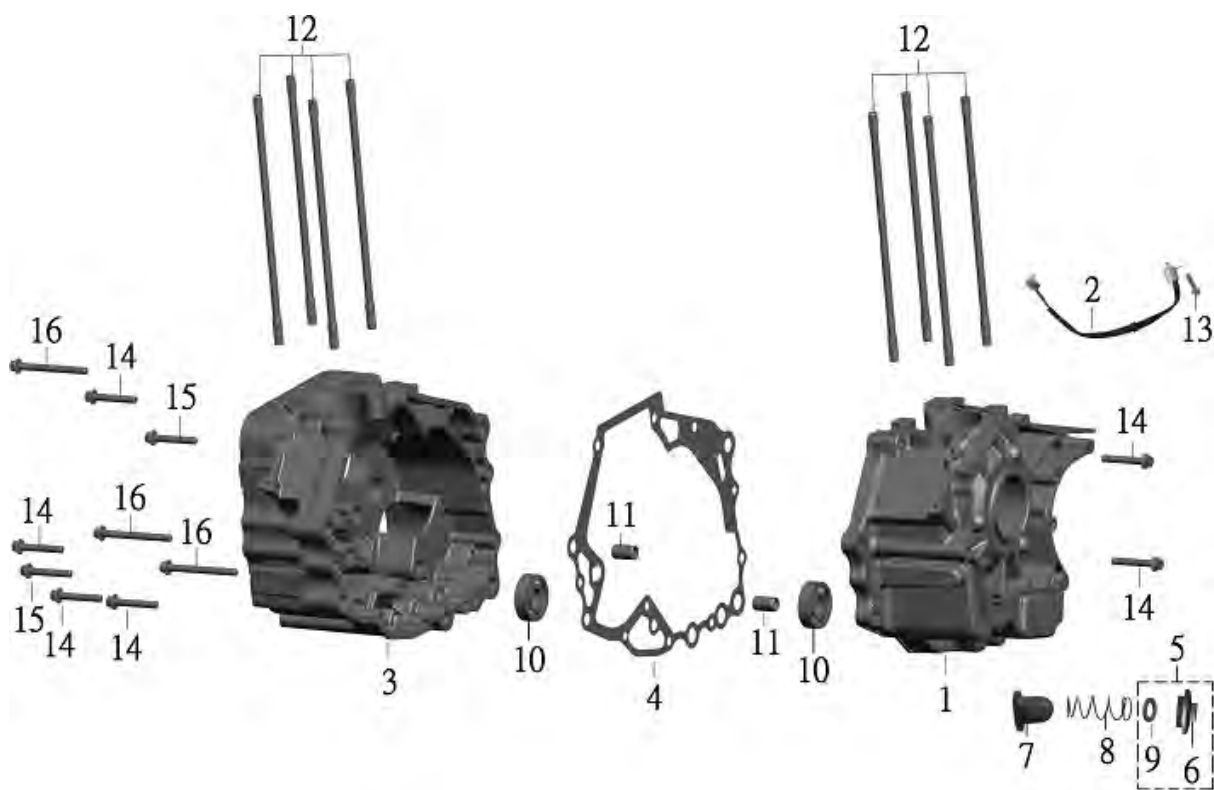
NO. 項目	PARTS NO. 零件號碼	PARTS NAME 零件名稱		Q'TY 用量	NOTE 備註
1	11131-CEE-01	HOLDER, CAMSHAFT	凸輪軸固定座	2	
2	14110-CEE-01	CAMSHAFT COMP	凸輪軸整體	1	高揚程
3	14118-CBT-00	WASHER, CAMSHAFT	凸輪軸墊圈	1	
4	14150-CEE-00	SPRING, ROCKER ARM 1.2*16.9*21	搖臂彈簧	4	
5	14430-CEE-01	HOLDER COMP, ROCKER ARM	搖臂座組	2	
6	14431-CBT-00	ARM, VALVE ROCKER	門閥搖臂	4	
7	14436-CBT-00	SCREW, TAPPET ADJUSTING 5*18.7	挺桿調整螺絲	4	
8	14437-CBT-00	NUT, TAPPET ADJUSTING 5*9*4	挺桿調整螺帽	4	
9	14450-CBT-00	ROCKER ARM	搖臂軸	2	
10	14450-CEE-00	ROCKER ARM	進氣閥搖臂軸	2	
11	14711-CBT-00	VALVE, IN	進氣閥門	2	
12	14721-CBT-00	VALVE, EX	排氣閥門	2	
13	14731-CEE-00	SEAL, VALVE STEM	閥門徑封	4	
14	14751-CBT-00	SPRING, VALVE OUTER	閥門外彈簧	4	
15	14761-CBT-01	SPRING, VALVE INNER	閥門內彈簧	4	高揚程
16	14771-CEE-00	RETAINER, VALVE SPRING	閥門彈簧承盤	4	
17	14781-CEE-00	COTTER, VALVE	閥門鎖扣	8	
18	93510-202813	SHEATH, CAMSHAFT	凸輪軸襯套	2	
19	94410-05006	PIN, DOWEL 3*5*5.5	定位銷	2	
20	94410-10016	PIN, DOWEL 10*16	定位銷	2	
21	94410-10028	PIN, DOWEL 10*28	定位銷	2	
22	95401-081208-B	NUT, FLANGE	凸緣螺帽	8	
23	97010-20010-K	CIRCLIP STW-20	C形扣環	1	
24	97201-081825-K	WASHER, PLANE 8.5*18*2.5	平面墊圈	8	
25	97201-182610-K	SEAT, VALVE SPRING OUTER	彈簧座	4	

CAM CHAIN, TENSIONER 內鏈條、拉力桿



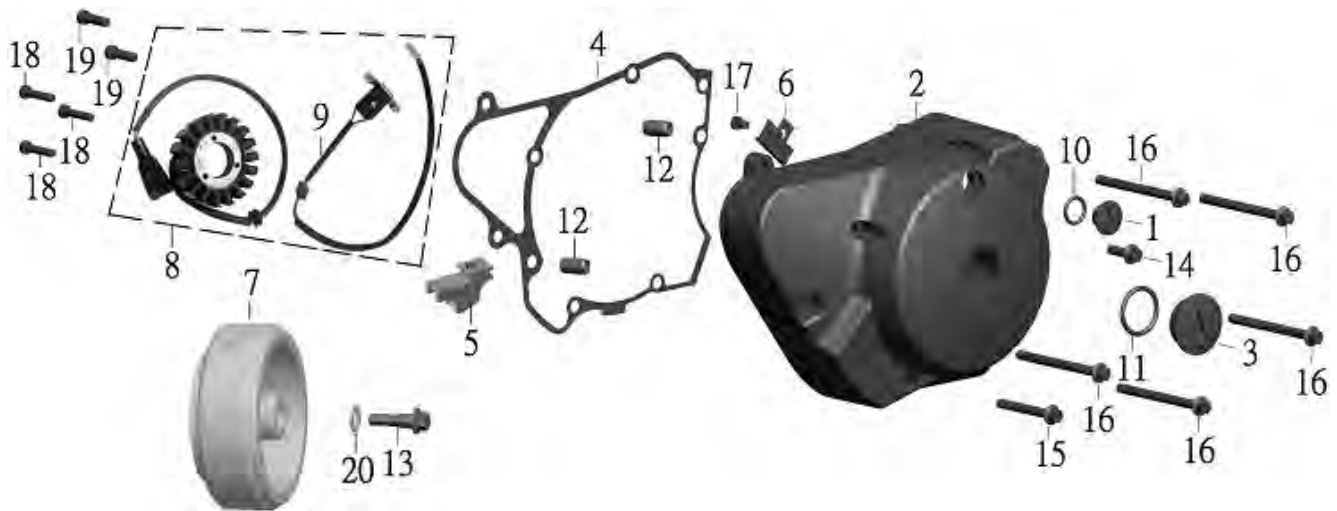
NO. 項目	PARTS NO. 零件號碼	PARTS NAME 零件名稱		Q'TY 用量	NOTE 備註
1	14111-CBT-00	SPROCKET, CAMSHAFT 38T	凸輪軸鏈輪	1	
2	14501-CBT-00	CHAIN, CAM 98L	凸輪軸內鏈條	1	
3	14510-CGE-00	TENSIONER, CAM CHAIN	鏈條拉力桿	1	
4	14560-CBT-00	GUIDE COMP, CAM CHAIN	鏈條導件	1	
5	90230-12008	COTTER PIN	開尾銷	1	
6	94706-07013-K	BOLT, HEXAGON 7*13	六角螺栓	2	
7	96414-06026-B	BOLT, FLANGE 6*26	凸緣螺栓	2	
8	97201-061505-K	WASHER, PLANE 6.6*14.9*0.5	平面墊圈	1	
9	97231-061315	WASHER, ALUMINUM 6.5*13*1.5	鋁墊圈	2	

CRANKCASE 曲軸箱



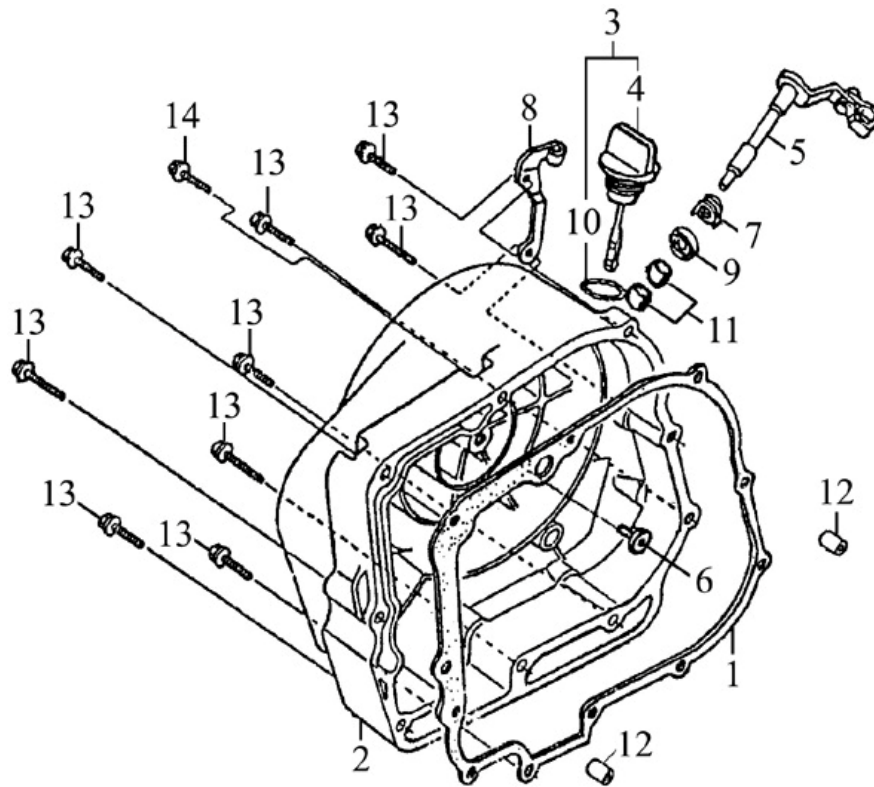
NO. 項目	PARTS NO. 零件號碼	PARTS NAME 零件名稱	Q'TY 用量	NOTE 備註
1	15111-CGE-00	CRANKCASE, LEFT	1	
2	15130-CGE-00	SELECTOR SWITCH	1	
3	15211-CGE-00	CRANKCASE, RIGHT	1	
4	15251-CGE-00	GASKET, CRANKCASE	1	
5	15531-CGE-00	CAP ASSY, TAPPET ADJUSTING HOLE	1	
6	15533-CGE-00	CAP, TAPPET ADJUSTING HOLE	1	
7	15536-CGE-00	SCREEN, OIL FILTER	1	
8	15538-CGE-00	SPRING, OIL FILTER SCREEN	1	
9	93210-30310	O-RING 3*31	1	
10	93320-1237123	BALL BEARING 6301C3	2	
11	94410-12020	PIN, DOWEL 12*20	2	
12	94717-08212-B	BOLT, STUD 8*212	8	
13	96411-06012-B	BOLT, FLANGE 6*12	1	
14	96411-06040-R	BOLT, FLANGE 6*40	6	
15	96411-06045-R	BOLT, FLANGE 6*65	2	
16	96411-06065-R	BOLT, FLANGE 6*65	3	

LEFT CRANKCASE COVER 左曲軸箱蓋



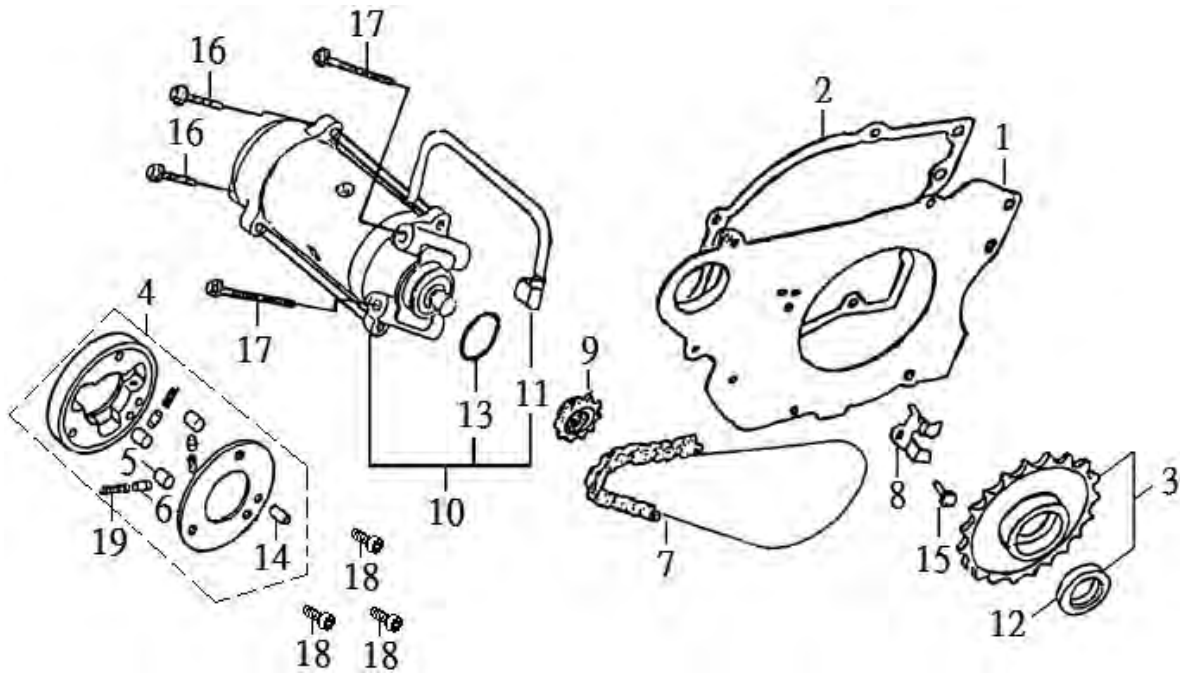
NO. 項目	PARTS NO. 零件號碼	PARTS NAME 零件名稱		Q'TY 用量	NOTE 備註
1	12655-CEE-00	CAP, A.C.G	A.C.G 蓋	1	
2	15411-CEE-00	COVER, L CRANKCASE	左曲軸箱蓋	1	
3	15417-CEE-00	CAP, L CRANKCASE COVER	左曲軸箱蓋飾蓋	1	
4	15481-CGE-00	GASKET, L CRANKCASE COVER	左曲軸箱蓋墊片	1	
5	15541-CBT-00	ENGINE OUTPUT WIRE JACKET	電線護套	1	
6	15541-CEE-00	CLAMPER, CORD	A.C.G 壓線板	1	
7	35550-CGE-00	FLYWHEEL COMP	轉子總成	1	
8	35560-CGE-00	STATOR COMP	發電機座總成	1	
9	35580-CGE-00	COIL, PULSE	脈動線圈	1	
10	93210-25138	O-RING 2.5*13.8	護油圈	1	
11	93210-31258	O-RING 3.1*25.8	護油圈	1	
12	94410-08014	PIN, DOWEL 8*16	定位銷	2	
13	94716-10033-B	BOLT, CRANKSHAFT	轉子固定螺栓	1	
14	96411-06020-R	BOLT, FLANGE 6*20	凸緣螺栓	1	
15	96411-06050-R	BOLT, FLANGE 6*50	凸緣螺栓	1	
16	96411-06065-R	BOLT, FLANGE 6*65	凸緣螺栓	5	
17	96510-05008-B	BOLT, SOCKET 5*8	六角承窩螺栓	1	
18	96510-05025-B	BOLT, SOCKET 5*25	六角承窩螺栓	3	
19	96510-06020-B	BOLT, SOCKET 6*20	六角承窩螺栓	2	
20	97201-122225-K	WASHER, PLATE 12.7*21.8*2.5	平面墊圈	1	

RIGHT CRANKCASE COVER 右曲軸箱蓋



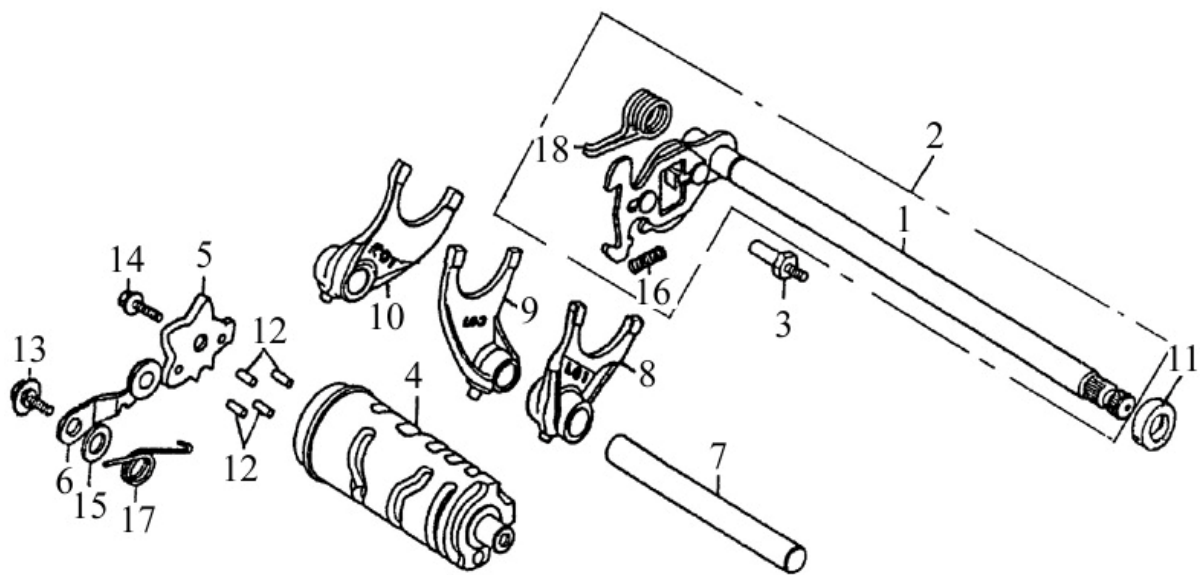
NO.	PARTS NO.	PARTS NAME		Q'TY	NOTE
項目	零件號碼	零件名稱		用量	備註
1	15221-CGE-00	GASKET, R CRANKCASE COVER	右曲軸箱蓋墊片	1	
2	15511-CGE-00	COVER, R CRANKCASE COMP	右曲軸箱蓋	1	
3	15561-CGE-00	GAUGE ASSY, OIL LEVEL	量油尺組	1	
4	15563-CEE-00	GAUGE, OIL LEVEL	量油尺	1	
5	25723-CEE-00	LEVER, CLUTCH	離合器拉桿	1	
6	25732-CEE-00	PUSHING PLATE	離合器推桿	1	
7	25753-CEE-00	SPRING, CLUTCH LEVER	離合器拉桿彈簧	1	
8	25793-CEE-00	HOLDER, CLUTCH WIRE	離合器導線固定座	1	
9	93110-12185	OIL SEAL KC 12*18*5	油封	1	
10	93210-30180	O-RING 3*18	護油圈	1	
11	93310-1216100	NEEDLE BEARING (HK1210)	滾針軸承	2	
12	94410-08014	PIN, DOWEL 8*14	定位銷	2	
13	96411-06040-R	BOLT, FLANGE 6*40	凸緣螺栓	9	
14	96411-06050-R	BOLT, FLANGE 6*50	凸緣螺栓	1	

STARTING MOTOR 起動系統



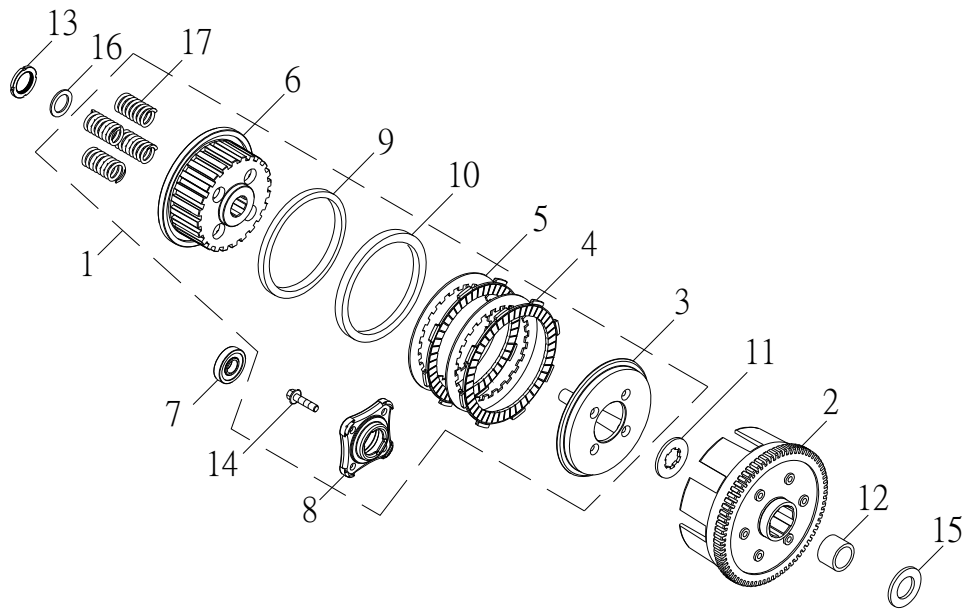
NO. 項目	PARTS NO. 零件號碼	PARTS NAME 零件名稱		Q'TY 用量	NOTE 備註
1	15431-CEE-00	CLAPBOARD	左蓋隔板	1	
2	15483-CEE-00	CLAPBOARD GASKET	左蓋隔板墊片	1	
3	23524-CGE-00	GEAR COMP, STARTING CLUTCH	起動輪	1	
4	23570-CGE-00	STARTING CLUTCH ASSY	起動離合器總成	1	
5	23576-CEE-00	ROLLER Ø10.2*10.4L	起動離合器滾珠	3	
6	23578-CEE-00	CAP, SPRING	起動離合器彈簧套	3	
7	23612-CBT-00	MOTOR DRIVE CHAIN 56L	起動鏈條	1	
8	23632-CBT-00	PLATE, SET GEAR	齒輪固定板	1	
9	23660-CBT-00	MOTOR SPROCKET WHEEL 13T	馬達驅動鏈輪	1	
10	35800-CEE-00	MOTOR ASSY, STARTER	起動馬達總成	1	
11	35831-CEE-00	CABLE, STARTER MOTOR	起動馬達配線	1	
12	9311V-22315	OIL SEAL SC 22*31*5	油封	1	
13	93210-18335	O-RING 1.8*33.5	護油圈	1	
14	94510-60010	PIN, DOWEL	滾針	1	
15	96411-06010-B	BOLT, FLANGE 6*10	凸緣螺栓	1	
16	96411-06022-R	BOLT, FLANGE 6*22	凸緣螺栓	2	
17	96411-06065-R	BOLT, FLANGE 6*65	凸緣螺栓	2	
18	96510-08014-B	BOLT, SOCKET 8*14	六角承窩螺栓	3	
19	97501-03032	SPRING, STARTING CLUTCH ROLLER	起動離合器彈簧	3	

GEAR SHIFT 變速機構



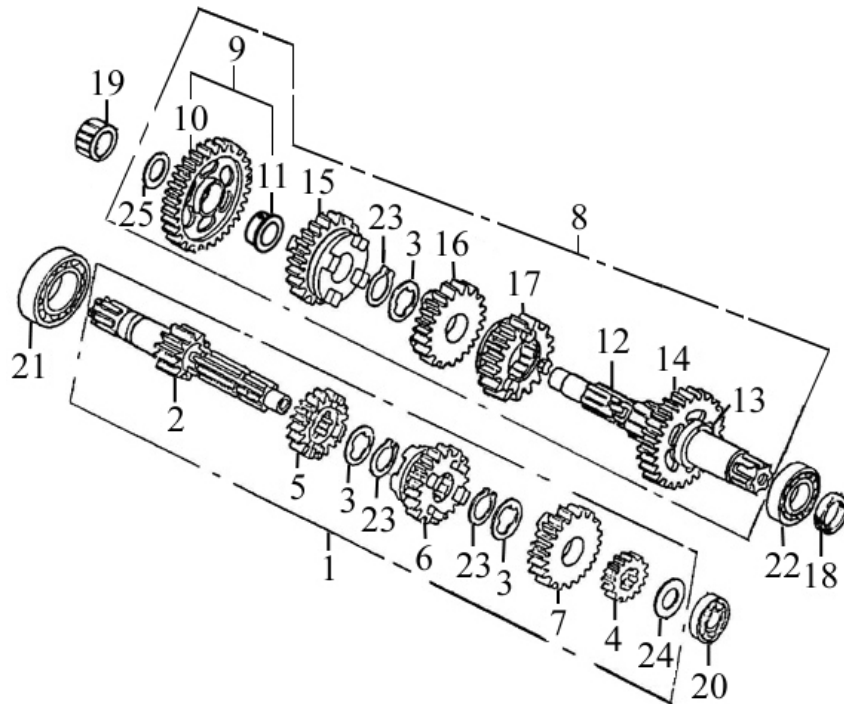
NO. 項目	PARTS NO. 零件號碼	PARTS NAME 零件名稱		Q'TY 用量	NOTE 備註
1	24201-CGE-00	SPINDLE, GEAR SHIFT	變速踏桿軸	1	
2	24210-CGE-00	SPINDLE COMP, GEAR SHIFT	變速踏桿軸組	1	
3	24216-CEE-00	TIP POLE	變速導向桿	1	
4	24220-CEE-00	DRUM, GEAR SHIFT	齒輪變速筒	1	
5	24226-CGE-00	CAM, GEAR SHIFT	齒輪變速凸輪	1	
6	24228-CEE-00	STOPPER COMP, GEAR SHIFT	變速凸輪制止器	1	
7	24236-CGE-00	SHAFT, GEAR SHIFT FORK	變速叉樞軸	1	
8	24237-CEE-00	FORK, L GEAR SHIFT	齒輪變速左叉	1	
9	24238-CEE-00	FORK, CENTER GEAR SHIFT	齒輪變速中叉	1	
10	24239-CEE-00	FORK, R GEAR SHIFT	齒輪變速右叉	1	
11	93110-112410	OIL SEAL TC 11.6*24*10	油封	1	
12	94510-40013	PIN, DOWEL	滾針	4	
13	94710-06014-B	SCREW Ø9*2.7	台階螺栓	1	
14	96414-06020-B	BOLT, FLANGE 6*20	凸緣螺栓	1	
15	97201-061510-K	WASHER, PLATE 6.2*14.8*1	平面墊圈	1	
16	97501-05020	SPRING, GEAR SHIFT PLATE	變速踏桿彈簧	1	
17	97508-23153-K	SPRING, SHAFT DRUM STOPPER	制止器彈簧	1	
18	97510-32179	SPRING, GEAR SHIFT RETURN	變速踏桿回位彈簧	1	

CLUTCH 離合器



NO. 項目	PARTS NO. 零件號碼	PARTS NAME 零件名稱		Q'TY 用量	NOTE 備註
1	25602-CEE-00	CLUTCH COMP	離合器組	1	
2	25611-CGE-00	OUTER COMP, CLUTCH 69T	離合器外套	1	
3	25621-CBT-00	PLATE, CLUTCH PRESSURE	離合器壓力板	1	
4	25622-CBT-00	DISK, CLUTCH FRICTION	離合器摩擦板	6	
5	25623-CBT-00	PLATE, CLUTCH	離合器板	6	
6	25661-CBT-00	CENTER, CLUTCH	離合器中心體	1	
7	25666-CEE-00	NEEDLE BEARING 12*35*8	滾針軸承	1	2*16支
8	25670-CBT-00	PLATE, CLUTCH LIFTER	離合器舉升板	1	
9	25684-CBT-00	GASKET	離合器墊圈	1	
10	25686-CBT-00	WASHER	錐形彈簧墊圈	1	
11	25688-CHP-00	WASHER, SPLINE	離合器墊圈	1	
12	93510-202618	BEARING, SHEATH 20*26*18.3	離合器襯套	1	
13	95601-162808-K	NUT, RING	環形螺帽	1	
14	96414-06022-B	BOLT, FLANGE 6*22	凸緣螺栓	4	
15	97201-203520-K	WASHER, PLANE	平面墊圈	1	
16	97310-162620-K	WASHER, CONICAL SPRING	錐形彈簧墊圈	1	
17	97501-26038	SPRING, CLUTCH 2.6*18.5*38L	離合器彈簧	4	

TRANSMISSION, STARTER 傳動系統



NO.	PARTS NO.	PARTS NAME	Q'TY	NOTE
項目	零件號碼	零件名稱	用量	備註
1	26100-CEE-00	MAIN SHAFT ASSY	1	主軸總成
2	26111-CEE-00	MAIN SHAFT, TRANSMISSION 13T	1	傳動主軸
3	26118-CEE-00	WASHER, SPLINE 20/22*26*1.6	3	齒輪墊圈
4	26120-CBT-00	GEAR, MAIN SHAFT SECOND 18T	1	主軸二速齒輪
5	26130-CBT-00	GEAR, MAIN SHAFT THIRD 21T	1	主軸三速齒輪
6	26140-CBT-00	GEAR, MAIN SHAFT FOURTH 24T	1	主軸四速齒輪
7	26150-CBT-00	GEAR, MAIN SHAFT FIFTH 23T	1	主軸五速齒輪
8	26400-CGE-00	COUNTER SHAFT ASSY	1	副軸總成
9	26410-CBT-00	COUNTER SHAFT LOW GEAR COMP	1	副軸低速齒輪組
10	26410-CBT-001	GEAR, COUNTER SHAFT LOW 37T	1	副軸低速齒輪
11	26410-CBT-002	BUSH 16.5*20/25*11.6/10.5	1	軸套
12	26411-CGE-00	COUNTER SHAFT, TRANSMISSION	1	傳動副軸
13	26413-CBT-00	RETAINING RING	1	擋圈
14	26420-CBT-00	GEAR, COUNTER SHAFT SECOND 32T	1	副軸二速齒輪
15	26430-CEE-00	GEAR, COUNTER SHAFT THIRD 28T	1	副軸三速齒輪
16	26440-CBT-00	GEAR, COUNTER SHAFT FOURTH 26T	1	副軸四速齒輪
17	26450-CBT-00	GEAR, COUNTER SHAFT FIFTH 21T	1	副軸五速齒輪
18	9311V-22347	OIL SEAL TC 22*34*7	1	油封
19	93310-1523120	NEEDLE BEARING (NK-15/12)	1	滾針軸承
20	93320-153511TZ	BALL BEARING TM-6202Z	1	滾珠軸承
21	93320-205215	BALL BEARING 6304	1	滾珠軸承
22	93320-224714B	BALL BEARING 22*47*14-RS	1	滾珠軸承
23	97014-22012-K	CIRCLIP ISTW-22	3	同心外扣環
24	97201-152510	WASHER, PLATE	1	平面墊圈
25	97201-153319-K	WASHER, PLATE 15.2*32.8*1.9	1	平面墊圈